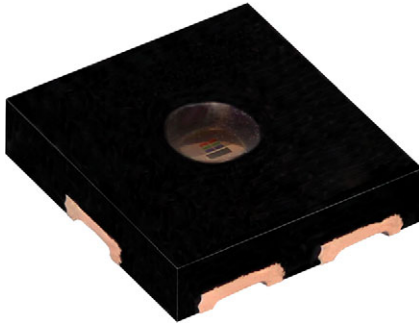


# High Accuracy RGBIR Color Sensor With I<sup>2</sup>C Interface



## LINKS TO ADDITIONAL RESOURCES



3D Models



Application Notes



Infographics

## DESCRIPTION

VEML6046X00 is a high accuracy color digital 16-bit resolution sensor in a miniature opaque 2.67 mm x 2.45 mm package. It includes a high sensitive photodiodes, a low noise amplifier, a 16-bit A/D converter and supports an easy to use I<sup>2</sup>C bus communication interface and additional interrupt feature.

## FEATURES

- Package type: surface-mount
- Dimensions (L x W x H in mm): 2.67 x 2.45 x 0.6
- AEC-Q100 qualified
- Integrated modules: RGBIR
- Supply voltage range  $V_{DD}$ : 2.5 V to 3.6 V
- Communication via I<sup>2</sup>C interface
- I<sup>2</sup>C bus H-level range: 1.7 V to 3.6 V
- Floor life: 4 weeks, MSL 2a, according to J-STD-020E
- Low shutdown by current consumption: typ. 0.5  $\mu$ A
- Material categorization: for definitions of compliance please see [www.vishay.com/doc?99912](http://www.vishay.com/doc?99912)

AUTOMOTIVE GRADE


**RoHS**  
 COMPLIANT  
 HALOGEN  
**FREE**  
**GREEN**  
 (5-2008)

## APPLICATIONS

- RGBIR sensor in automotive for
  - Display backlight controls
  - Infotainment systems
  - Rear view mirror dimming
  - Interior lighting control systems
  - [Head-up displays](#)
  - Color recognition
  - CCT measurement
  - Mood lighting

PRODUCT SUMMARY							
PART NUMBER	OPERATING VOLTAGE RANGE (V)	I <sup>2</sup> C BUS VOLTAGE RANGE (V)	PEAK SENSITIVITY (nm)	AMBIENT LIGHT RANGE (lx)	AMBIENT LIGHT RESOLUTION (lx)	OUTPUT CODE	ADC RESOLUTION PROXIMITY / AMBIENT LIGHT
VEML6046X00	2.5 to 3.6	1.7 to 3.6	600, 550, 470, 820 (R, G, B, IR)	0 to 176 000	0.0053	16 bit, I <sup>2</sup> C	- / 16 bit

ORDERING INFORMATION				
ORDERING CODE	SLAVE ADDRESS (7 BIT)	PACKAGING	VOLUME <sup>(1)</sup>	REMARKS
VEML6046X00	0x29	Tape and reel	MOQ: 3000	2.67 mm x 2.45 mm x 0.6 mm

### Note

<sup>(1)</sup> MOQ: minimum order quantity

ABSOLUTE MAXIMUM RATINGS ( $T_{amb} = 25\text{ }^{\circ}\text{C}$ , unless otherwise specified)					
PARAMETER	TEST CONDITION	SYMBOL	MIN.	MAX.	UNIT
Supply voltage		$V_{DD}$	0	3.6	V
Ambient temperature range		$T_{amb}$	-40	+110	$^{\circ}\text{C}$
Storage temperature range		$T_{stg}$	-40	+110	$^{\circ}\text{C}$
Total power dissipation	$T_{amb} \leq 25\text{ }^{\circ}\text{C}$	$P_{tot}$	-	50	mW
Junction temperature		$T_j$	-	+110	$^{\circ}\text{C}$

<b>BASIC CHARACTERISTICS</b> ( $T_{amb} = 25\text{ }^{\circ}\text{C}$ , unless otherwise specified)						
PARAMETER	TEST CONDITION	SYMBOL	MIN.	TYP.	MAX.	UNIT
<b>ASIC</b>						
Supply voltage		$V_{DD}$	2.5	3.3	3.6	V
Supply current	Shutdown state <sup>(1)</sup> ; $V_{DD} = V_{BUS}$	$I_{DD}$	-	0.5	-	$\mu\text{A}$
	Shutdown state <sup>(1)</sup> ; $V_{DD} = V_{BUS} = 3.0\text{ V}$		-	-	1.2	
	Shutdown state <sup>(1)</sup> ; $V_{DD} = 3.6\text{ V}$ , $V_{BUS} = 1.7\text{ V}$		-	3.1	-	
	Active state; $V_{DD} = 3.3\text{ V}$		-	370	-	
I <sup>2</sup> C clock rate range		$f_{SCL}$	10	-	400	kHz
I <sup>2</sup> C signal input, logic high	$V_{BUS} = V_{DD}$	$V_{IH}$	$0.7 \times V_{BUS}$	-	3.6	V
	$V_{BUS} \neq V_{DD}$		$0.85 \times V_{BUS}$	-	-	
I <sup>2</sup> C signal input, logic low	$V_{BUS} = V_{DD}$	$V_{IL}$	-0.3	-	$0.3 \times V_{BUS}$	V
	$V_{BUS} \neq V_{DD}$		-0.3	-	$0.2 \times V_{BUS}$	
Digital current out (low, current sink)		$I_{ol}$	3	-	-	mA
Digital resolution (LSB count)	With RGB_GAIN = x 2, RGB_IT = 400 ms, RGB_PDDIV = 2/2 PD		-	0.0053	-	lx/count
Detectable maximum illuminance	With RGB_GAIN = x 0.5, RGB_IT = 6.25 ms, RGB_PDDIV = 1/2 PD	$E_V\text{ max.}$	-	176 000	-	lx
Dark offset <sup>(2)</sup>	With RGB_GAIN = x 1, RGB_IT = 400 ms, RGB_PDDIV = 2/2 PD	R	-	2	-	step
		G	-	2	-	
		B	-	2	-	
		IR	-	2	-	

**Notes**

<sup>(1)</sup> Light conditions:  $E_V = 100\text{ lx}$  with 4300K white LED

<sup>(2)</sup> Light conditions: dark

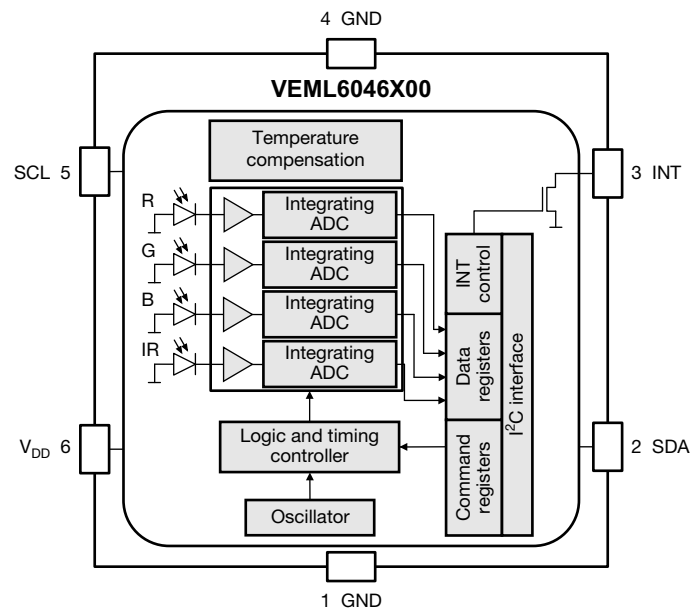
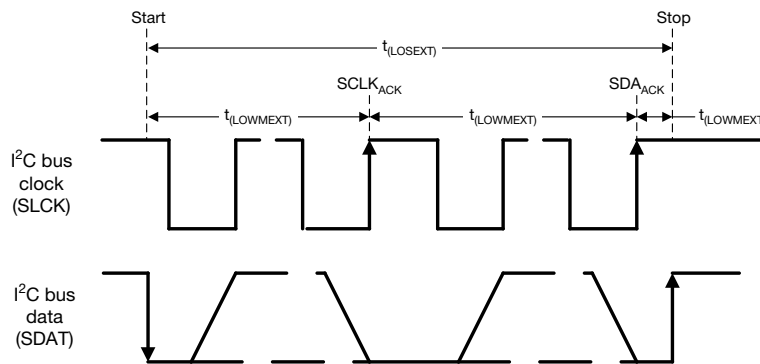
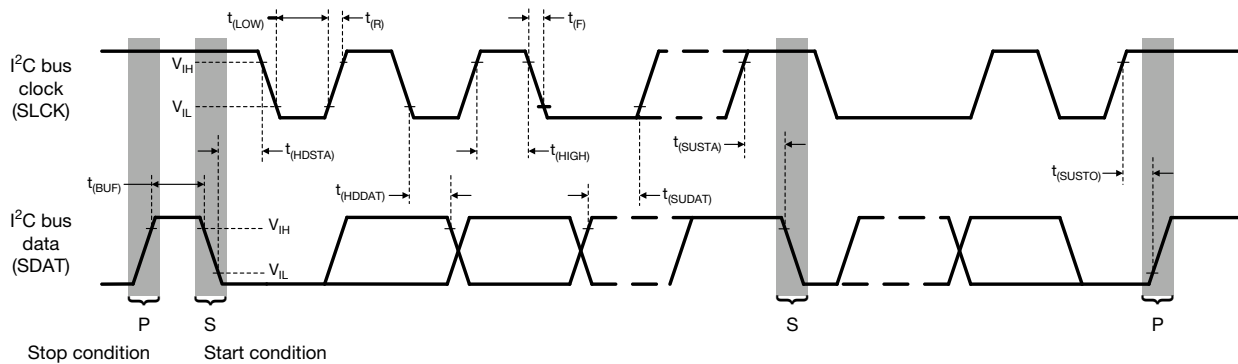
**CIRCUIT BLOCK DIAGRAM**


Fig. 1 - Block Diagram

<b>I<sup>2</sup>C TIMING CHARACTERISTICS</b> ( $T_{amb} = 25\text{ }^{\circ}\text{C}$ , unless otherwise specified)						
PARAMETER	SYMBOL	STANDARD MODE <sup>(1)</sup>		FAST MODE <sup>(1)</sup>		UNIT
		MIN.	MAX.	MIN.	MAX.	
Clock frequency	$f_{(SMBCLK)}$	10	100	10	400	kHz
Bus free time between start and stop condition	$t_{(BUF)}$	4.7	-	1.3	-	$\mu\text{s}$
Hold time after (repeated) start condition; after this period, the first clock is generated	$t_{(HDSTA)}$	4.0	-	0.6	-	$\mu\text{s}$
Repeated start condition setup time	$t_{(SUSTA)}$	4.7	-	0.6	-	$\mu\text{s}$
Stop condition setup time	$t_{(SUSTO)}$	4.0	-	0.6	-	$\mu\text{s}$
Data hold time	$t_{(HDDAT)}$	0	3450	0	900	ns
Data setup time	$t_{(SUDAT)}$	250	-	100	-	ns
I <sup>2</sup> C clock (SCK) low period	$t_{(LOW)}$	4.7	-	1.3	-	$\mu\text{s}$
I <sup>2</sup> C clock (SCK) high period	$t_{(HIGH)}$	4.0	-	0.6	-	$\mu\text{s}$
Detect clock / data low timeout	$t_{(TIMEOUT)}$	25	35	-	-	ms
Clock / data fall time	$t_{(F)}$	-	300	-	300	ns
Clock / data rise time	$t_{(R)}$	-	1000	-	300	ns

**Note**

(1) Data based on standard I<sup>2</sup>C protocol requirement, not tested in production


 Fig. 2 - I<sup>2</sup>C Timing Diagram

**PARAMETER TIMING INFORMATION**

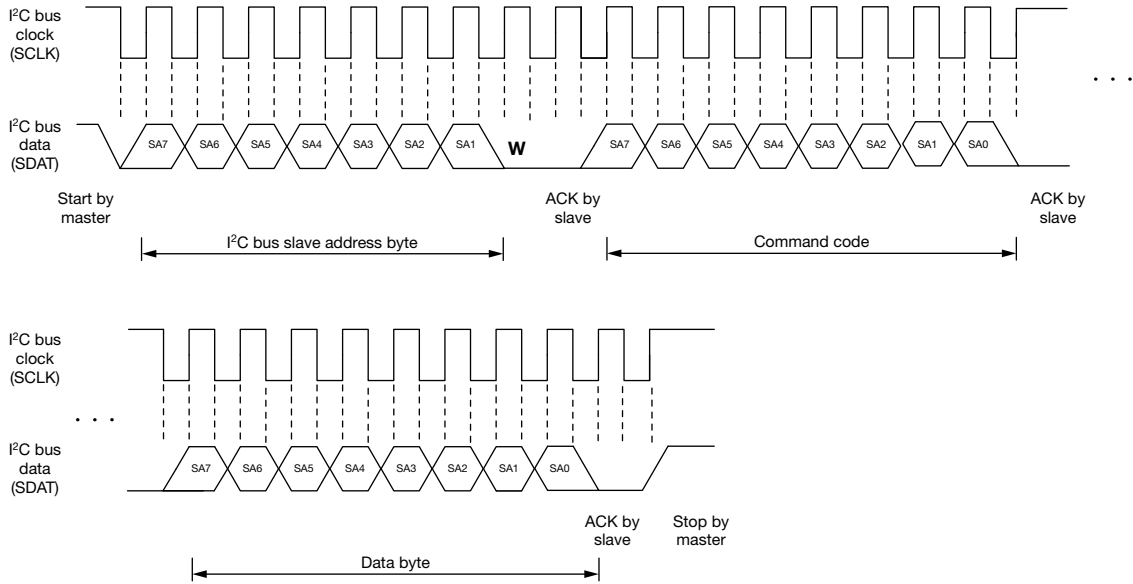


Fig. 3 - I<sup>2</sup>C Bus Timing for Sending Word Command Format

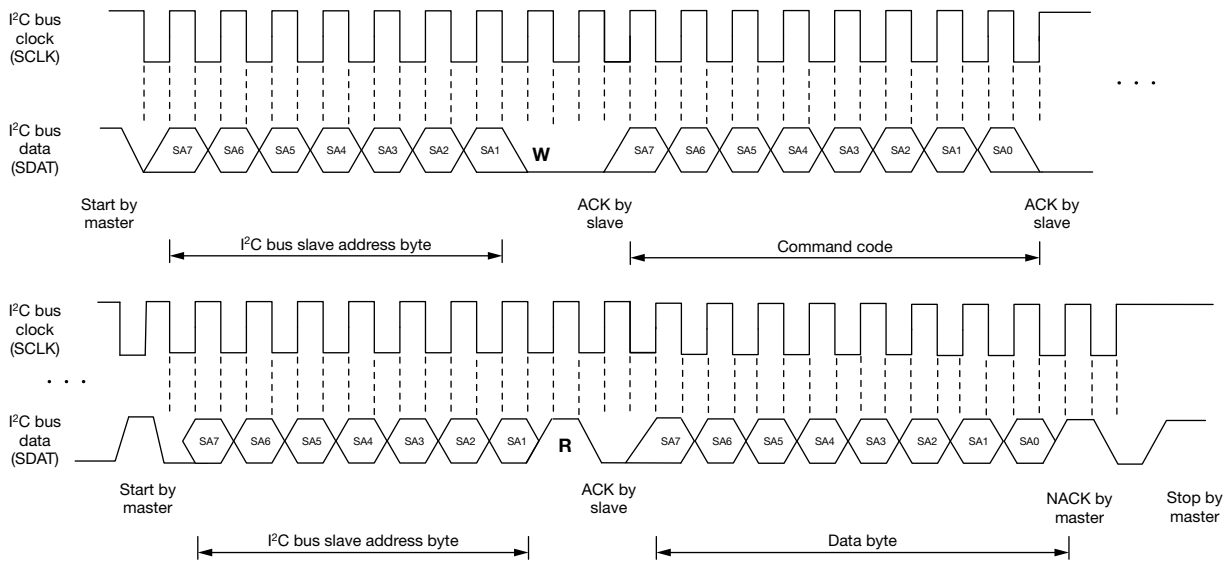


Fig. 4 - I<sup>2</sup>C Bus Timing for Receive Word Command Format

**BASIC CHARACTERISTICS** ( $T_{amb} = 25\text{ }^{\circ}\text{C}$ , unless otherwise specified)

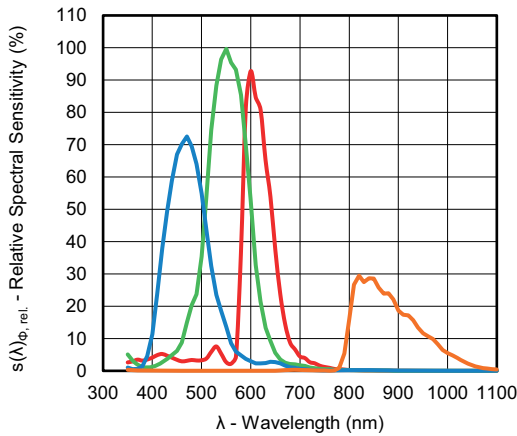


Fig. 5 - Relative Spectral Sensitivity vs. Wavelength

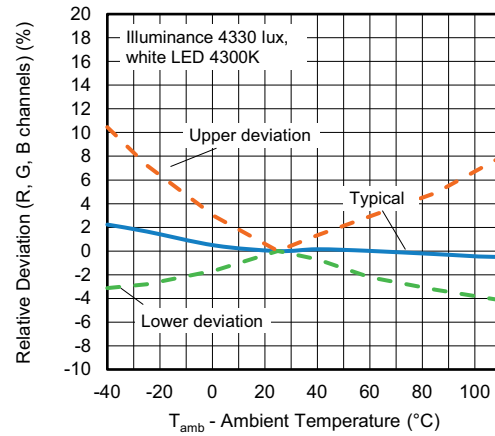


Fig. 7 - Relative Deviation (R, G, B Channels) vs. Temperature (at illumination levels lower than ~200 lux, dark current effects should be taken into account)

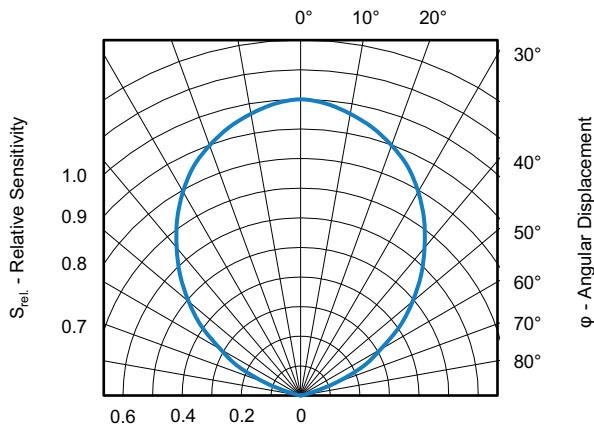


Fig. 6 - Relative Sensitivity vs. Angular Displacement

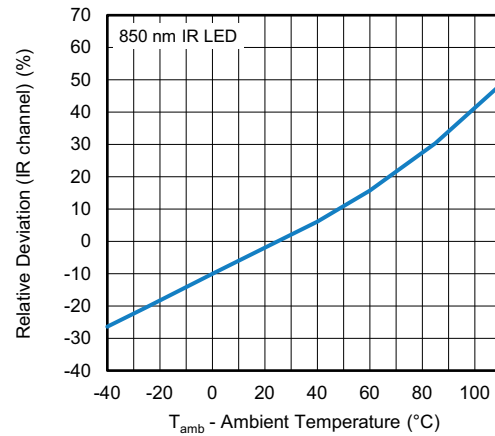


Fig. 8 - Relative Deviation (IR Channel) vs. Ambient Temperature

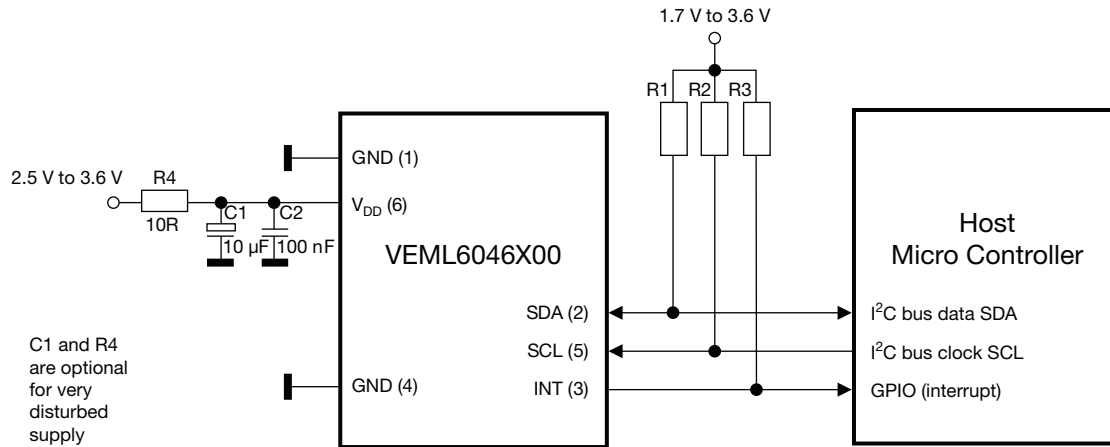
**APPLICATION INFORMATION**
**1. Application Circuit**


Fig. 9 - Application Circuit  
(x) = Pin Number

**Notes**

- The interrupt pin is an open drain output. Proposed values for the pull-up resistors should be  $> 1 \text{ k}\Omega$ , e.g.  $2.2 \text{ k}\Omega$  to  $4.7 \text{ k}\Omega$  for the R1 and R2 (at SDA and SCL) and  $10 \text{ k}\Omega$  to  $100 \text{ k}\Omega$  for R3 (at interrupt).
- Normally just one decoupling capacitor is needed. This should be  $\geq 100 \text{ nF}$  and placed close to the  $V_{DD}$  pin.  
For detailed description about set-up and use of the interrupt as well as more application related information see AN: "Designing VEM6046X00 into an Application"

## 2. I<sup>2</sup>C Write and Read Protocol

The VEML6046X00 has 17 register addresses responsible for operation control, parameter setup and result buffering. All registers are accessible via I<sup>2</sup>C communication. Fig. 10 shows the basic I<sup>2</sup>C communication with VEML6046X00.

The built in I<sup>2</sup>C interface is compatible with I<sup>2</sup>C modes “standard” and “fast”: 10 kHz to 400 kHz.

Please refer to the I<sup>2</sup>C specification from NXP for details.

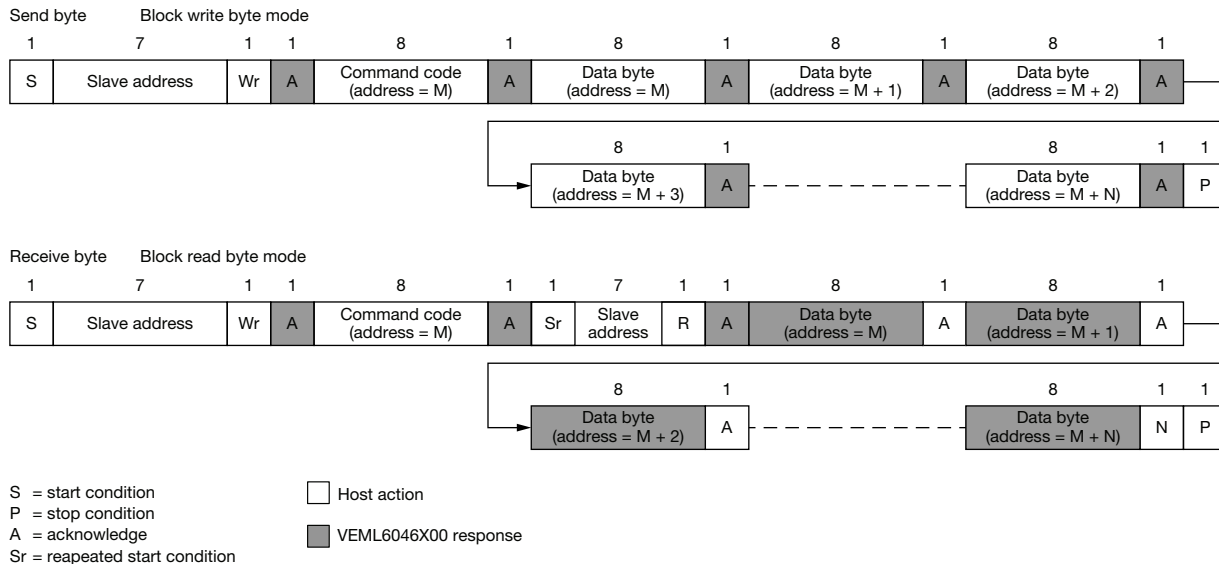


Fig. 10 - Send Byte / Receive Byte Protocol

## REGISTER INFORMATION

### Device Address

The VEML6046X00 is available in one preconfigured slave address. The predefined 7 bit I<sup>2</sup>C bus address is set to 0101001 = 0x29. The least significant bit (LSB) defines read or write mode. Accordingly the bus address is set to 0101 0010 = 0x52 for write and 0101 0011 = 0x53 for read.

TABLE 1 - SLAVE ADDRESS TABLE		
7 BIT SLAVE ADDRESS	8 BIT SLAVE ADDRESS	
0x29	0x52 (Write)	0x53 (Read)

### Register Addresses

The VEML6046X00 has 17 registers, accessible through there respective 8-bit command codes.

Note that due to the location of the two shutdown bits (RGB\_ON\_0 and RGB\_ON\_1), one in register 0x00 and the other in 0x01, it is necessary to always write to both registers at once when configuring the device.

### Auto-Memorization

The VEML6046X00 stores the last measured RGB and IR data before the device is shutdown, keeping the data accessible.

When VEML6046X00 is in shutdown mode, the host can freely read this data via read command directly.

When VEML6046X00 wakes up, the data will be refreshed once a new measurement is made.



**TABLE 2 - COMMAND CODE AND REGISTER DESCRIPTION**

COMMAND CODE	DATA BYTE LOW / HIGH	REGISTER NAME	DEFAULT VALUE	FUNCTION	ACCESS
0x00	-	RGB_CONF_0	0x01	Set the integration time	Write and read
				Measurement mode of the sensor	
				Enable interrupt function of the green channel	
				Switch the sensor on / off	
0x01	-	RGB_CONF_1	0x80	Switch the sensor on / off	
				GAIN and photodiode size setting	
				Interrupt persistence counter	
0x04	Low	G_THDH_L	0x00	Green channel high threshold window setting (low byte)	
0x05	High	G_THDH_H	0x00	Green channel high threshold window setting (high byte)	
0x06	Low	G_THDL_L	0x00	Green channel low threshold window setting (low byte)	
0x07	High	G_THDL_H	0x00	Green channel low threshold window setting (high byte)	
0x10	Low	R_DATA_L	0x00	Low byte of 16-bit red channel result data	Read only
0x11	High	R_DATA_H	0x00	High byte of 16-bit red channel result data	
0x12	Low	G_DATA_L	0x00	Low byte of 16-bit green channel result data	
0x13	High	G_DATA_H	0x00	High byte of 16-bit green channel result data	
0x14	Low	B_DATA_L	0x00	Low byte of 16-bit blue channel result data	
0x15	High	B_DATA_H	0x00	High byte of 16-bit blue channel result data	
0x16	Low	IR_DATA_L	0x00	Low byte of 16-bit IR channel result data	
0x17	High	IR_DATA_H	0x00	High byte of 16-bit IR channel result data	
0x18	Low	VEML6046X00_ID_L	0x01	ID code	
0x19	High	VEML6046X00_ID_H	0x00	ID code	
0x1A	Low	INT_FLAG	0x00	Reserved	
0x1B	High	INT_FLAG	0x00	Interrupt and active force mode event flag	

**Notes**

- Command code 0x00 default value is 0x01 = device is shutdown
- Command 0x00 and command 0x01 must be executed together, they cannot be executed independently

**TABLE 3 - REGISTER NAME: RGB\_CONF\_0**

Bit 7	Bit 6	Bit 5	Bit 4	Bit 3	Bit 2	Bit 1	Bit 0
Reserved	RGB_IT			RGB_MODE	RGB_TRIG	G_INT	RGB_ON_0
<b>COMMAND CODE</b>					<b>0x00</b>		
<b>BIT NAME</b>	<b>FUNCTION</b>			<b>BIT</b>	<b>VALUE</b>	<b>DESCRIPTION</b>	
Reserved	Reserved			7	0x0 (0b0)	Should be kept default	
RGB_IT	Set the integration time			6 : 4	0x7 (0b111)	400 ms	
					0x6 (0b110)	200 ms	
					0x5 (0b101)	100 ms	
					0x4 (0b100)	50 ms	
					0x3 (0b011)	25 ms	
					0x2 (0b010)	12.5 ms	
					0x1 (0b001)	6.25 ms	
					0x0 (0b000)	3.125 ms (default)	
RGB_MODE	Set the measurement mode of the sensor			3	0x1 (0b1)	Active force mode	
					0x0 (0b0)	Auto mode (default)	
RGB_TRIG	Set the active force mode trigger; this bit will be reset to 0 after the measurement cycle			2	0x1 (0b1)	Trigger	
					0x0 (0b0)	Off (default)	
G_INT	Enable / disable the interrupt function of the green channel			1	0x1 (0b1)	Enable	
					0x0 (0b0)	Disable (default)	
RGB_ON_0	Switch the sensor on / off (RGB_ON_0 and RGB_ON_1 must be executed together to start the sensor)			0	0x1 (0b1)	Turn off the sensor (shutdown) (default)	
					0x0 (0b0)	Turn on the sensor	

**Note**

- Command code 0x00 default value is 0x01 = device is shutdown



TABLE 4 - REGISTER NAME: RGB_CONF_1							
Bit 7	Bit 6	Bit 5	Bit 4	Bit 3	Bit 2	Bit 1	Bit 0
RGB_ON_1	RGB_PDDIV	Reserved	RGB_GAIN		G_PERS		RGB_CAL
COMMAND CODE					0x01		
BIT NAME	FUNCTION	BIT	VALUE	DESCRIPTION			
RGB_ON_1	Switch the sensor on / off (RGB_ON_0 and RGB_ON_1 must be executed together to start the sensor)	7	0x1 (0b1)	Turn off the sensor (shutdown) (default)			
			0x0 (0b0)	Turn on the sensor			
RGB_PDDIV	Set the effective photodiode size for the R,G,B and IR channel	6	0x1 (0b1)	1/2 PD used			
			0x0 (0b0)	2/2 PD used			
Reserved	Reserved	5	0x0 (0b0)	Should be kept default			
RGB_GAIN	Set the gain of the RGB	4 : 3	0x3 (0b11)	Gain x0.5			
			0x2 (0b10)	Gain x0.66			
			0x1 (0b01)	Gain x2			
			0x0 (0b00)	Gain x1			
G_PERS	Set the amount of consecutive threshold crossing events necessary to trigger interrupt	2 : 1	0x3 (0b11)	8 times			
			0x2 (0b10)	4 times			
			0x1 (0b01)	2 times			
			0x0 (0b00)	1 time (default)			
RGB_CAL	Enable / disable internal calibration after power on	0	0x1 (0b1)	Enable (must be set to "1" when power on ready)			
			0x0 (0b0)	Disable (default)			

TABLE 5 - REGISTER NAME: G_THDH							
Bit 7	Bit 6	Bit 5	Bit 4	Bit 3	Bit 2	Bit 1	Bit 0
G_THDH_L							
Bit 7	Bit 6	Bit 5	Bit 4	Bit 3	Bit 2	Bit 1	Bit 0
G_THDH_H							
COMMAND	BIT NAME	FUNCTION	BIT	VALUE	DESCRIPTION		
0x04	G_THDH_L	Set the high threshold interrupt value of the green channel	7 : 0	0 to 65 535	Low byte		
0x05	G_THDH_H		7 : 0		High byte		

TABLE 6 - REGISTER NAME: G_THDL							
Bit 7	Bit 6	Bit 5	Bit 4	Bit 3	Bit 2	Bit 1	Bit 0
G_THDL_L							
Bit 7	Bit 6	Bit 5	Bit 4	Bit 3	Bit 2	Bit 1	Bit 0
G_THDL_H							
COMMAND	BIT NAME	FUNCTION	BIT	VALUE	DESCRIPTION		
0x06	G_THDL_L	Set the low threshold interrupt value	7 : 0	0 to 65 535	Low byte		
0x07	G_THDL_H		7 : 0		High byte		

TABLE 7 - REGISTER NAME: R_DATA							
Bit 7	Bit 6	Bit 5	Bit 4	Bit 3	Bit 2	Bit 1	Bit 0
R_DATA_L							
Bit 7	Bit 6	Bit 5	Bit 4	Bit 3	Bit 2	Bit 1	Bit 0
R_DATA_H							
COMMAND	BIT NAME	FUNCTION	BIT	VALUE	DESCRIPTION		
0x10	R_DATA_L	Read the red channel output data	7 : 0	0 to 65 535	Low byte		
0x11	R_DATA_H		7 : 0		High byte		



TABLE 8 - REGISTER NAME: G_DATA							
Bit 7	Bit 6	Bit 5	Bit 4	Bit 3	Bit 2	Bit 1	Bit 0
G_DATA_L							
Bit 7	Bit 6	Bit 5	Bit 4	Bit 3	Bit 2	Bit 1	Bit 0
G_DATA_H							
COMMAND	BIT NAME	FUNCTION	BIT	VALUE	DESCRIPTION		
0x12	G_DATA_L	Read the green channel output data	7 : 0	0 to 65 535	Low byte		
0x13	G_DATA_H		7 : 0		High byte		

TABLE 9 - REGISTER NAME: B_DATA							
Bit 7	Bit 6	Bit 5	Bit 4	Bit 3	Bit 2	Bit 1	Bit 0
B_DATA_L							
Bit 7	Bit 6	Bit 5	Bit 4	Bit 3	Bit 2	Bit 1	Bit 0
B_DATA_H							
COMMAND	BIT NAME	FUNCTION	BIT	VALUE	DESCRIPTION		
0x14	B_DATA_L	Read the blue channel output data	7 : 0	0 to 65 535	Low byte		
0x15	B_DATA_H		7 : 0		High byte		

TABLE 10 - REGISTER NAME: IR_DATA							
Bit 7	Bit 6	Bit 5	Bit 4	Bit 3	Bit 2	Bit 1	Bit 0
IR_DATA_L							
Bit 7	Bit 6	Bit 5	Bit 4	Bit 3	Bit 2	Bit 1	Bit 0
IR_DATA_H							
COMMAND	BIT NAME	FUNCTION	BIT	VALUE	DESCRIPTION		
0x16	IR_DATA_L	Read the IR channel output data	7 : 0	0 to 65 535	Low byte		
0x17	IR_DATA_H		7 : 0		High byte		

TABLE 11 - REGISTER NAME: VEML6046X00_ID							
Bit 7	Bit 6	Bit 5	Bit 4	Bit 3	Bit 2	Bit 1	Bit 0
VEML6046X00_ID_L							
Bit 7	Bit 6	Bit 5	Bit 4	Bit 3	Bit 2	Bit 1	Bit 0
VEML6046X00_ID_H							
COMMAND	BIT NAME	FUNCTION	BIT	VALUE	DESCRIPTION		
0x18	VEML6046X00_ID_L	Read the device ID	7 : 0	0x01 (0b00000001)	Should be kept default		
0x19	VEML6046X00_ID_H		7 : 0	0x00 (0b00000000)	Device with a slave address of 0x29		



TABLE 12 - REGISTER NAME: INT_FLAG							
Bit 7	Bit 6	Bit 5	Bit 4	Bit 3	Bit 2	Bit 1	Bit 0
Reserved							
Bit 7	Bit 6	Bit 5	Bit 4	Bit 3	Bit 2	Bit 1	Bit 0
Reserved				AF_DATA_READY	G_IF_L	G_IF_H	Reserved
COMMAND	BIT NAME	FUNCTION	BIT	VALUE	DESCRIPTION		
0x1A	Reserved	Reserved	7 : 0	0x00 (0b00000000)	Should be kept default		
	Reserved	Reserved	7 : 4	0x0 (0b0000)	Should be kept default		
0x1B	AF_DATA_READY	Data ready flag active force mode	3	0x1 (0b1)	Data ready flag available		
				0x0 (0b0)	Data ready flag not available		
	G_IF_L	Low threshold interrupt flag	2	0x1 (0b1)	Low threshold crossing interrupt event flag for the green channel		
				0x0 (0b0)	No low threshold crossing		
	G_IF_H	High threshold interrupt flag	1	0x1 (0b1)	High threshold crossing interrupt event flag for the green channel		
				0x0 (0b0)	No high threshold crossing		
Reserved	Reserved	0	0x0 (0b0)	Should be kept default			

**CALCULATING THE LUX LEVEL**

Command code 0x12 and 0x13 contain the results of the green channel measurement. The value of the green channel can be used to calculate the corresponding illumination. Therefore, the 16-bit code needs to be converted to a decimal value to determine the corresponding lux value. The calculation of the corresponding lux level is dependent on the programmed gain setting and the chosen integration time.

TABLE 13 - RESOLUTION AND MAXIMUM DETECTION RANGE AT RGB_PDDIV (2/2 PD USED)									
IT (ms)	TYPICAL RESOLUTION (lx/cnt)					MAXIMUM POSSIBLE ILLUMINATION (lx)			
	RGB_GAIN					RGB_GAIN			
	x2	x1	x0.66	x0.5		x2	x1	x0.66	x0.5
400	0.0053	0.0105	0.0159	0.0210		344	688	1043	1376
200	0.0105	0.0210	0.0318	0.0420		688	1376	2085	2752
100	0.0210	0.0420	0.0636	0.0840		1376	2752	4170	5505
50	0.0420	0.0840	0.1273	0.1680		2752	5505	8341	11 010
25	0.0840	0.1680	0.2545	0.3360		5505	11 010	16 682	22 020
12.5	0.1680	0.3360	0.5091	0.6720		11 010	22 020	33 363	44 040
6.25	0.3360	0.6720	1.0182	1.3440		22 020	44 040	66 727	88 079
3.125	0.6720	1.3440	2.0364	2.6880		(-) <sup>(1)</sup>	(-) <sup>(1)</sup>	(-) <sup>(1)</sup>	(-) <sup>(1)</sup>

TABLE 14 - RESOLUTION AND MAXIMUM DETECTION RANGE AT RGB_PDDIV (1/2 PD USED)									
IT (ms)	TYPICAL RESOLUTION (lx/cnt)					MAXIMUM POSSIBLE ILLUMINATION (lx)			
	RGB_GAIN					RGB_GAIN			
	x2	x1	x0.66	x0.5		x2	x1	x0.66	x0.5
400	0.0105	0.0210	0.0318	0.0420		688	1376	2085	2752
200	0.0210	0.0420	0.0636	0.0840		1376	2752	4170	5505
100	0.0420	0.0840	0.1273	0.1680		2752	5505	8341	11 010
50	0.0840	0.1680	0.2545	0.3360		5505	11 010	16 682	22 020
25	0.1680	0.3360	0.5091	0.6720		11 010	22 020	33 363	44 040
12.5	0.3360	0.6720	1.0182	1.3440		22 020	44 040	66 727	88 079
6.25	0.6720	1.3440	2.0364	2.6880		44 040	88 079	133 453	176 158
3.125	1.3440	2.6880	4.0727	5.3760		(-) <sup>(1)</sup>	(-) <sup>(1)</sup>	(-) <sup>(1)</sup>	(-) <sup>(1)</sup>

**Note**

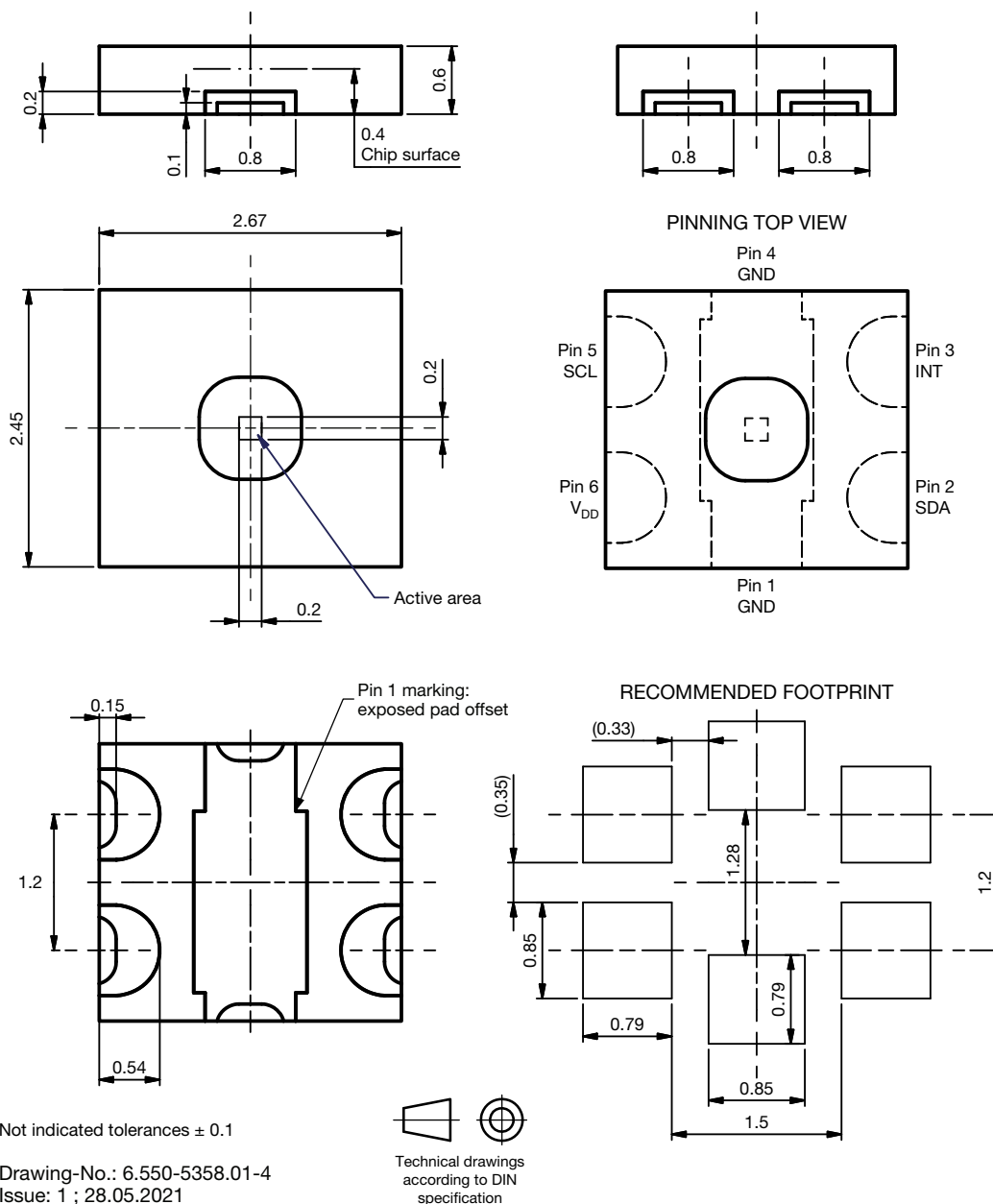
<sup>(1)</sup> For integration time of 3.125 ms the maximum count level is no longer 16 bit, so, half the integration time no longer leads to double the max. lux level

**HANDLING INSTRUCTION**

Special care must be taken into consideration when handling the VEML6046X00. VEML6046X00 is sensitive to dust and scratches, proper optical device handling procedures are recommended.

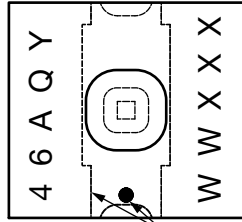
The optical surface of the device must be kept clean for optimal performance in both prototyping with the device and mass production manufacturing procedures. Tweezers with plastic or rubber contact surfaces are recommended to avoid scratches on the optical surface. Avoid manipulation with metal tools when possible. The optical surface must be kept clean of fingerprints, dust, and other optical-inhibiting contaminants. If the device optical surface requires cleaning, the use of isopropyl alcohol is recommended. A few gentle brushes with a soft swab are appropriate. Avoid potentially abrasive cleaning and manipulating tools and excessive force that can scratch the optical surface.

If the VEML6046X00 performs less than optimally, inspect the optical surface for dirt, scratches, or other optical artifacts. VEML6046X00 is a cost effective solution of RGB sensor with I2C bus interface. The standard serial digital interface is easy to access RGB and IR data without complex calculation and programming by external controller. Beside the digital output also a flexible programmable interrupt pin is available.

**PACKAGE DIMENSIONS** in millimeters




MARKING AND PIN 1 IDENTIFICATION



46: device type  
A: address option (0)  
Q: qualification (0 = AECQ100)  
Y: year  
WW: week  
XXX: lot number

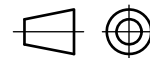
Pin 1 marking  
dotmarking on top side  
elongated feature on bottom side

TAPE AND REEL DIMENSIONS in millimeters

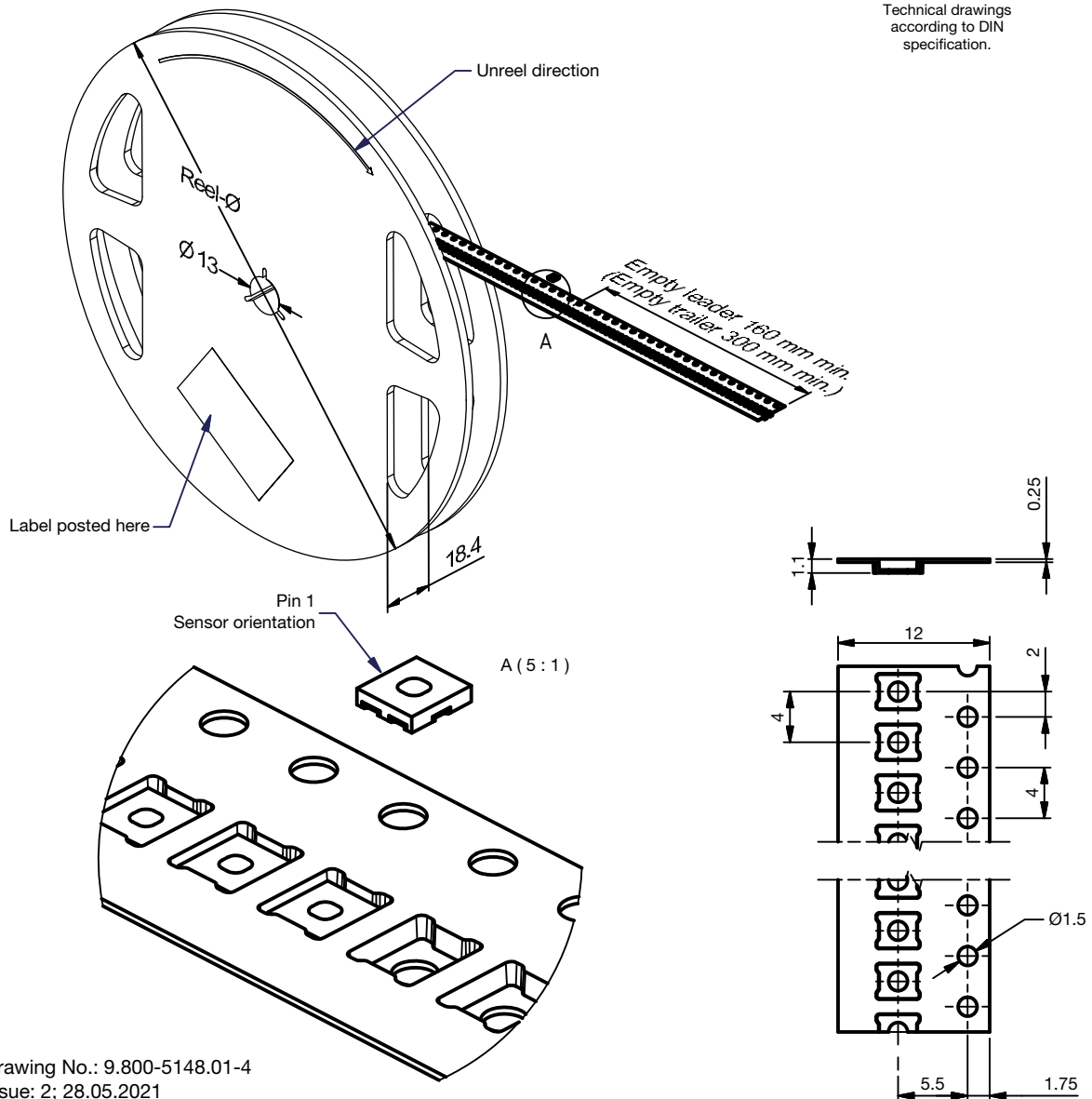
Reel-Size:  
VEML60xx: Ø180 mm ± 2 mm = 3000 pcs.  
VEML60xx-GS 15: Ø330 mm ± 2 mm = 10 000 pcs.

Reel-design is representative for different types.

Non tolerated dimensions ± 0.1 mm



Technical drawings according to DIN specification.



Drawing No.: 9.800-5148.01-4  
Issue: 2; 28.05.2021



**DRYPACK**

Devices are packed in moisture barrier bags (MBB) to prevent the products from moisture absorption during transportation and storage. Each bag contains a desiccant.

**FLOOR LIFE**

Floor life (time between soldering and removing from MBB) must not exceed the time indicated on MBB label:

Floor life: 4 weeks

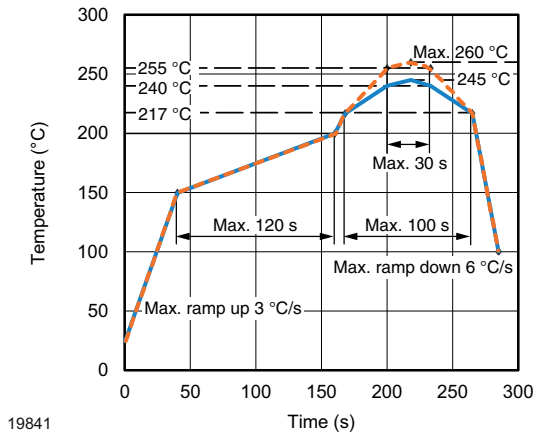
Conditions:  $T_{amb} < 30\text{ }^{\circ}\text{C}$ , RH < 60 %

Moisture sensitivity level 2a, according to J-STD-020E.

**DRYING**

In case of moisture absorption devices should be baked before soldering. Conditions see J-STD-020E or label. Devices taped on reel dry using recommended conditions 192 h at 40 °C (+ 5 °C), RH < 5 %.

**REFLOW SOLDER PROFILE**



19841

Fig. 11 - Lead (Pb)-free Reflow Solder Profile According to J-STD-020E



## Disclaimer

ALL PRODUCT, PRODUCT SPECIFICATIONS AND DATA ARE SUBJECT TO CHANGE WITHOUT NOTICE TO IMPROVE RELIABILITY, FUNCTION OR DESIGN OR OTHERWISE.

Vishay Intertechnology, Inc., its affiliates, agents, and employees, and all persons acting on its or their behalf (collectively, "Vishay"), disclaim any and all liability for any errors, inaccuracies or incompleteness contained in any datasheet or in any other disclosure relating to any product.

Vishay makes no warranty, representation or guarantee regarding the suitability of the products for any particular purpose or the continuing production of any product. To the maximum extent permitted by applicable law, Vishay disclaims (i) any and all liability arising out of the application or use of any product, (ii) any and all liability, including without limitation special, consequential or incidental damages, and (iii) any and all implied warranties, including warranties of fitness for particular purpose, non-infringement and merchantability.

Statements regarding the suitability of products for certain types of applications are based on Vishay's knowledge of typical requirements that are often placed on Vishay products in generic applications. Such statements are not binding statements about the suitability of products for a particular application. It is the customer's responsibility to validate that a particular product with the properties described in the product specification is suitable for use in a particular application. Parameters provided in datasheets and / or specifications may vary in different applications and performance may vary over time. All operating parameters, including typical parameters, must be validated for each customer application by the customer's technical experts. Product specifications do not expand or otherwise modify Vishay's terms and conditions of purchase, including but not limited to the warranty expressed therein.

Hyperlinks included in this datasheet may direct users to third-party websites. These links are provided as a convenience and for informational purposes only. Inclusion of these hyperlinks does not constitute an endorsement or an approval by Vishay of any of the products, services or opinions of the corporation, organization or individual associated with the third-party website. Vishay disclaims any and all liability and bears no responsibility for the accuracy, legality or content of the third-party website or for that of subsequent links.

Vishay products are not designed for use in life-saving or life-sustaining applications or any application in which the failure of the Vishay product could result in personal injury or death unless specifically qualified in writing by Vishay. Customers using or selling Vishay products not expressly indicated for use in such applications do so at their own risk. Please contact authorized Vishay personnel to obtain written terms and conditions regarding products designed for such applications.

No license, express or implied, by estoppel or otherwise, to any intellectual property rights is granted by this document or by any conduct of Vishay. Product names and markings noted herein may be trademarks of their respective owners.