

QUARTZ CRYSTAL MHZ

Part Number: **830055663** | CFPX-104

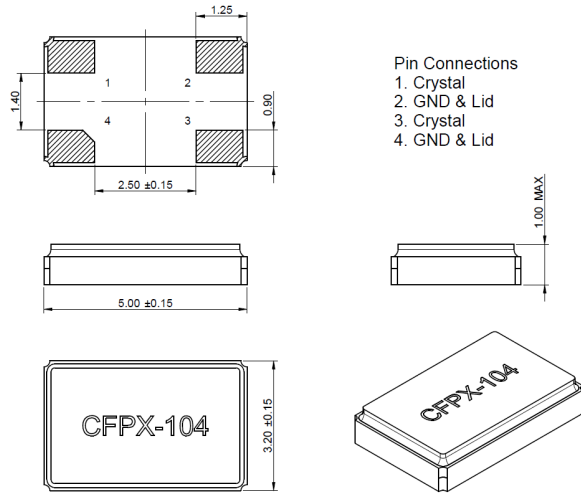
AKA Number: LFX TAL055663



General Information

Standard 5x3.2 mm SMD crystal with four pads. Ceramic package with a seam sealed metal lid, hermetically sealed.

Dimensions [mm]



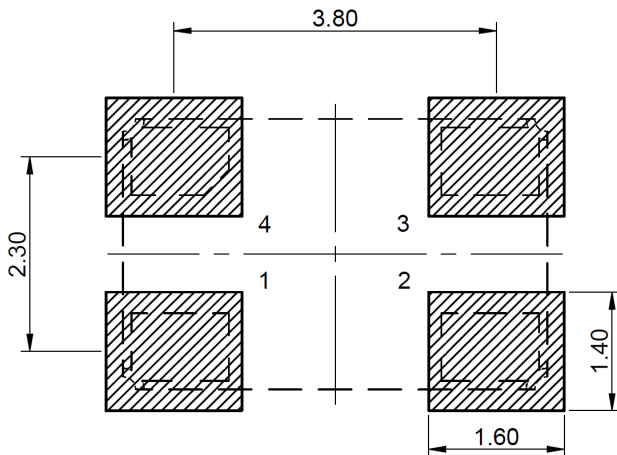
Pin Connections

1. Crystal
2. GND & Lid
3. Crystal
4. GND & Lid



NOTE: The chamfer may appear on pad 1 or 4. This causes no change to the electrical performance of the device.

Recommended Land Pattern [mm]



QUARTZ CRYSTAL MHZ



Part Number: 830055663 | CFPX-104

AKA Number: LFX TAL055663

Frequency Parameters

Frequency	8.0 MHz
Frequency Tolerance	± 20 ppm @25 °C
Frequency Stability	± 30 ppm
Operating Temperature	-40 °C to 85 °C
Overtone Order	Fundamental
Ageing	± 3 ppm max per year @ 25 °C

Material Parameters

Termination Finish	Au 0.3 µm to 1 µm
Moisture Sensitivity Level (MSL)	Not Applicable

Manufacturing Details

Reflow: 260 °C max for 30 seconds max.

Company Address

IQD Frequency Products Ltd.
Station Road
Crewkerne
Somerset
TA18 8AR, United Kingdom

Electrical Parameters

Load Capacitance C_L	18 pF
Shunt Capacitance C_0	7 pF max.
Drive Level	100 µW max.
ESR	150 Ω max.

Environmental Parameters

Storage Temperature Range:	-55 °C to 125 °C
<ul style="list-style-type: none">Shock: 1500 g, 0.5 ms, 3 times in each of 3 mutually perpendicular planes.Vibration: MIL-STD-883F, 20 g (20 Hz ~ 2000 Hz), 1.52 mm amplitude, 20 minutes in 3 mutually perpendicular planes, 4 cycles.	

Technical Standards

RoHS Status	2015/863/EU - Compliant
REACH Status	Compliant

Packaging Details

Packaging SPQ	Tape & Reel 1000 pcs
Tape & reel in accordance with EIA-481	
Quantities below the standard reel size to be supplied on cut tape.	