

Description

The AP33772S is a highly integrated USB Type-C® PD3.1 sink controller to support Extended Power Range (EPR)/Adjustable Voltage Supply (AVS) up to 28V and Standard Power Range (SPR) / Programmable Power Supply (PPS) up to 21V. The device is targeted for DC power request and control for flexible Type-C Connector-equipped Devices (TCDs) with an embedded host MCU (Micro Controller Unit) and I2C interface pins (SCL, SDA).

Through the I2C interface interaction and interrupt mechanism, the host MCU sets up proper desired power profile (programmable voltage and current) with relevant threshold (OTP, OCP, etc.) and delegates PD negotiation tasks to the AP33772S. The host MCU further inquiries about status of various I2C registers for intended applications.

Based on high-voltage process, the AP33772S offers short protection between CC1/CC2 pins to adjacent high-voltage pin up to 34V. Smart built-in firmware of the AP33772S offers comprehensive safety protection scheme, including overvoltage protection (OVP), undervoltage protection (UVP), overcurrent protection (OCP), over temperature protection (OTP) and moisture detection of the Type-C connector. In addition, external OTP and thermal de-rating are supported by an NTC resistor.

Meanwhile, the AP33772S provides a LED pin to indicate the different PD power negotiation results, and a FLIP pin to show the cable plug-in orientation.

Features

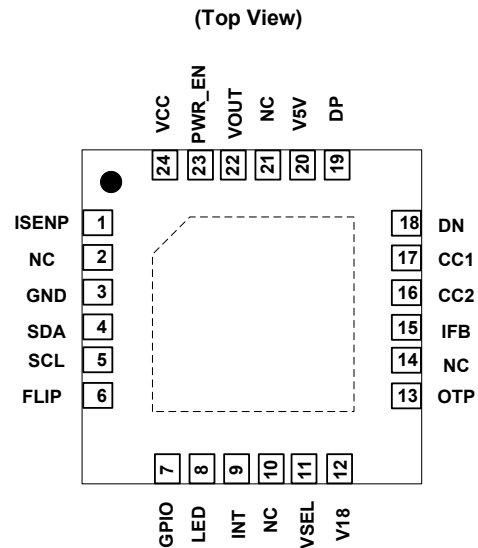
- USB PD3.1 v1.6 Certified with TID: 10062
- Operating Voltage Range of VCC: 3V to 31V
- Support PD3.1 EPR/AVS Up to 28V and SPR/PPS Up to 21V
- Support OVP with Hard Reset and Auto Restart
- Support UVP, OCP and OTP with Output Latch Off
- Support OTP and Thermal De-Rating through NTC Resistor
- Support OTP through Internal Junction Temperature Detection
- VBUS Short Protection on CC1/CC2 Pins Up to 34V
- I2C Commands for External MCU Monitoring, Control and Parameter Programming
- Dedicated Pins for CC Flip Indication and Interrupt Request
- Support Moisture Detection of the Type-C Connector
- LED Indication for Different Negotiation Results
- Driver for Output Enable N-MOS Switch
- Support Dead Battery Function
- Support Legacy Type-A Charger with Type-A to Type-C Cable
- **Totally Lead-Free & Fully RoHS Compliant (Notes 1 & 2)**
- **Halogen and Antimony Free. "Green" Device (Note 3)**
- **For automotive applications requiring specific change control (i.e. parts qualified to AEC-Q100/101/104/200, PPAP capable, and manufactured in IATF 16949 certified facilities), please [contact us](https://www.diodes.com/quality/product-definitions/) or your local Diodes representative.**

<https://www.diodes.com/quality/product-definitions/>

- Notes:
1. No purposely added lead. Fully EU Directive 2002/95/EC (RoHS), 2011/65/EU (RoHS 2) & 2015/863/EU (RoHS 3) compliant.
 2. See <https://www.diodes.com/quality/lead-free/> for more information about Diodes Incorporated's definitions of Halogen- and Antimony-free, "Green" and Lead-free.
 3. Halogen- and Antimony-free "Green" products are defined as those which contain <900ppm bromine, <900ppm chlorine (<1500ppm total Br + Cl) and <1000ppm antimony compounds.

All other trademarks are the property of their respective owners.

Pin Assignments



W-QFN4040-24 (Type A1)

Applications

- USB Type-C connector-equipped battery-powered devices
- USB Type-C connector-equipped DC-power input devices
- USB PD3.1 testers

Typical Application Circuit

The AP33772S is a USB Type-C power delivery sink controller used to request power from an attached USB PD charger for a typical TCD embedded with a host MCU, as shown in Figure 1 below.

Once the cable attachment is completed, the AP33772S is powered from VCC pin, and starts to do power-on initiation by setting up its internal registers and receiving the TCD configuration parameters from the external host MCU via I2C interface. After the power-on initialization, the AP33772S starts to decode USB PD commands from CC pin and gets the PD source capability. The host MCU makes a choice of the source power output capabilities, Power Data Object (PDOs), and sends request for PDO to the AP33772S through I2C command.

The AP33772S then automatically initiates the PD negotiation progress with the attached Type-C PD compliance charger (through Type-C to Type-C cable) or legacy Type-A charger (through Type-A to Type-C cable). If the PDO is matched, the MOS switch is turned on to connect VBUS to VOUT, and then the source adapter successfully provides power to the AP33772S-embedded TCD device.

The AP33772S supports the dead battery function and can be woken up as soon as an active PD adapter is plugged in the TCD Type-C receptacle. After the power link is set up between source and sink, OVP, UVP, OCP, and OTP protections are enabled to monitor the power charging status. In case power protection is triggered, the AP33772S shuts down the VOUT enable NMOS switch, and the host MCU will need to load new PD_REQMSG to start a PDO negotiation process to resume charging operation.

The back-to-back N-MOS switches shown in Figure 1 could be simplified to a simple N-MOS switch for the TCD when there is no concern on reverse current from power module back to VBUS.

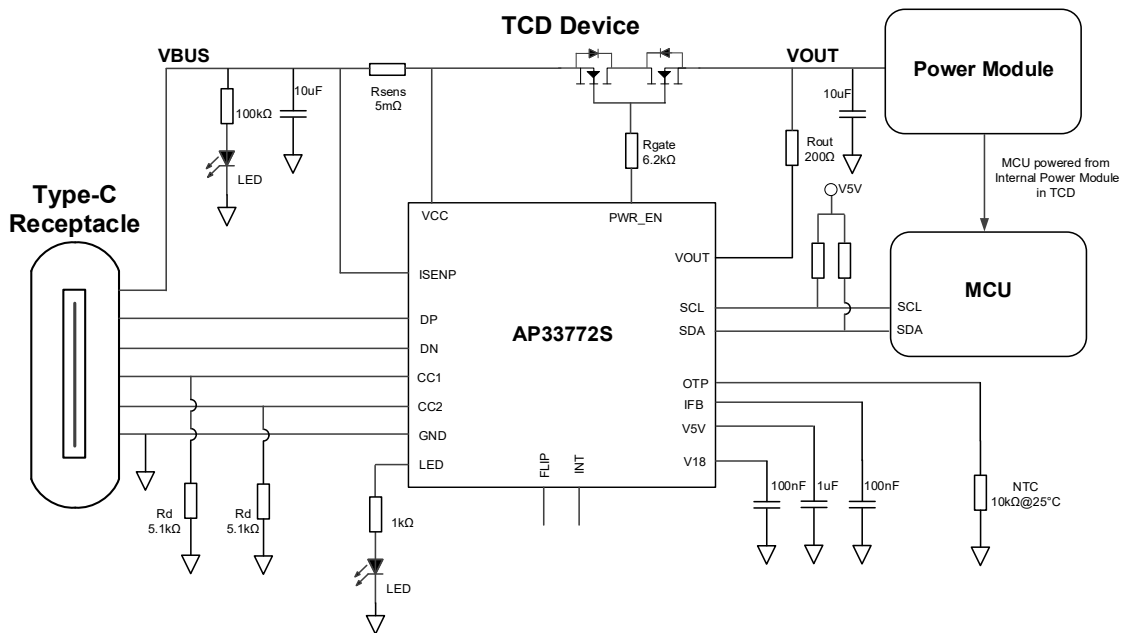


Figure 1. Typical System Configuration of AP33772S PD3.1 Sink Controller in a TCD

Pin Descriptions

Pin No.	Pin Name	Type (Note 4)	Pin Function
1	ISENP	AHV	Current sense positive node, connect to the positive node of the external current sensing resistor
2	NC	—	No Connection
3	GND	GND	Ground
4	SDA	DIO	I2C data, need to be pulled up externally.
5	SCL	DIO	I2C clock, need to be pulled up externally.
6	FLIP	DO	Flip indicator of Type-C plug. LOW: CC1 detected. HIGH: CC2 detected.
7	GPIO	DIO	General Purpose Input or Output (Function only for AP33772SDKZ-13-FA02)
8	LED	DO	LED indicator pin, refer to Table 13 for detailed description
9	INT	DO	Interrupt pin is used to inform external MCU. LOW: normal. HIGH: interrupt happened.
10	NC	—	No Connection
11	VSEL	AI	Voltage selection pin, connect resistance to ground to set Voltage (Function only for AP33772SDKZ-13-FA02)
12	V18	DP	1.8V LDO output for internal use only. Connect a 100nF cap to GND. This pin cannot drive external load.
13	OTP	AIO	100 μ A current source output for NTC connected to ground. This NTC is used to monitor temperature variation.
14	NC	—	No Connection
15	IFB	AI	For current measurement, a 100nF cap to Ground is suggested.
16	CC2	AIO	Type-C Configuration Channel 2 (CC2). The CC2 pin detects, configures and manages the connections across a USB Type-C cable.
17	CC1	AIO	Type-C Configuration Channel 1 (CC1). The CC1 pin detects, configures and manages the connections across a USB Type-C cable.
18	DN	AIO	DN of Type-C Connector. This pin could be unconnected if moisture detection function is waived.
19	DP	AIO	DP of Type-C Connector. This pin could be unconnected if moisture detection function is waived.
20	V5V	AP	Output of the internal LDO with VCC as input. A 1 μ F cap is required to connect this pin to GND. When VCC is off, V5V pin could be an alternative power path for the AP33772S when provided a 5V external power.
21	NC	—	No Connection
22	VOUT	AHV	Terminal for VOUT Monitoring
23	PWR_EN	AHV	NMOS Switch gate control to switch the NMOS on or off.
24	VCC	AHV	The power supply of the IC. A 1 μ F cap is required to connect this pin to GND pin.
—	EPAD	GND	Exposed pad is suggested to connect to Ground for better thermal dissipation.

Table 1. Pin Descriptions of AP33772S Sink Controller

Note 4:

AHV – Analog High Voltage pin.
 AP – Power for Analog Circuit and Analog I/O pins, 5.0V operation.
 AI – Analog Input pin.
 DP – Power for Digital Circuit operation.
 AIO – Analog Input/Output pin with 5.0V operation. However, DP/DN & CC1/CC2 pins are 3.3V operation.
 DI – Digital Input pin. All are 5.0V operation.
 DO – Digital Output pin. All are 5.0V operation.
 DIO – Digital Input/Output pin. All are 5.0V operation.

Functional Block Diagram

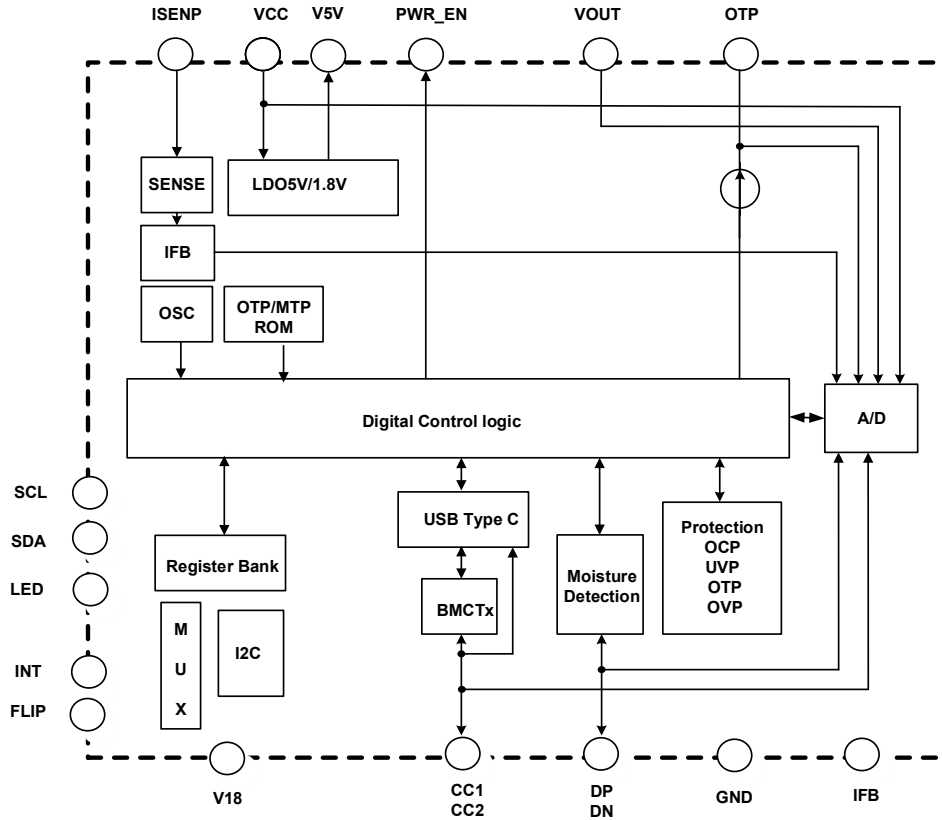


Figure 2. The Functional Block Diagram of AP33772S PD3.1 Sink Controller

Absolute Maximum Ratings (Note 5)

Symbol	Parameter	Rating	Unit
V _{VCC}	Input Voltage at VCC Pin	-0.3 to 34	V
V _{V5V}	Input Voltage at V5V Pin	-0.3 to 7	V
V _{V18}	Input Voltage at V18 Pin	-0.3 to 5	V
V _{FLIP} , V _{INT} , V _{OTP} , V _{LED}	Input Voltage at FLIP, INT, OTP, LED Pins	-0.3 to 7	V
V _{VOU} , V _{ISENP}	Input Voltage at VOUT, ISENP Pins	-0.3 to 31	V
V _{PWR_EN}	Input Voltage at PWR_EN Pin	-0.3 to 38	V
—	Voltage from PWR_EN to VCC Pin	-30 to 4	V
V _{CC1} , V _{CC2}	Input Voltage at CC1, CC2 Pins	-0.3 to 34	V
V _{DP} , V _{DN}	Input Voltage at DP, DN Pins	-0.3 to 7	V
V _{SCL} , V _{SDA}	Input Voltage at SCL, SDA Pins	-0.3 to 7	V
T _J	Operating Junction Temperature	-40 to +150	°C
T _{STG}	Storage Temperature	-65 to +150	°C
T _{LEAD}	Lead Temperature (Soldering, 10s)	+300	°C
ESD	Human Body Model	2	kV
ESD	Charged Device Model	750	V

Note: 5. Stresses greater than those listed under "Absolute Maximum Ratings" can cause permanent damage to the device. These are stress ratings only, and functional operation of the device at these or any other conditions beyond those indicated under "Recommended Operating Conditions" is not implied. Exposure to "Absolute Maximum Ratings" for extended periods can affect device reliability.

Package Thermal Information (Note 6)

Symbol	Parameter	Value	Unit
R _{θJA}	Junction-to-Ambient Thermal Resistance	28	°C/W
R _{θJC(top)}	Junction-to-Case (Top) Thermal Resistance	16	°C/W
R _{θJB}	Junction-to-Board Thermal Resistance	11.2	°C/W
Ψ _{JT}	Junction-to-Top Characterization Parameter	0.4	°C/W
Ψ _{JB}	Junction-to-Board Characterization Parameter	11.4	°C/W
R _{θJC(bot)}	Junction-to-Case (Bottom) Thermal Resistance	6.0	°C/W

Note: 6. Test condition: device mounted on FR-4 substrate PC board, 2oz copper, with the minimum footprint.

Recommended Operating Conditions

Symbol	Parameter	Min	Max	Unit
V _{VCC}	Power Supply Voltage at VCC Pin	3.3	31	V
V _{V5V}	Input Voltage at V5V Pin	4.37	5.33	V
V _{DP} , V _{DN}	Input Voltage at DP, DN Pins	2.75	3.25	V
V _{SCL} , V _{SDA}	Input Voltage at SCL, SDA Pins	4.37	5.33	V
T _J	Operating Junction Temperature Range	-40	+125	°C
T _A	Operating Ambient Temperature	-40	+85	°C

Electrical Characteristics (@ T_A = +25°C, unless otherwise specified.)

Symbol	Parameter	Condition	Min	Typ	Max	Unit
VCC SECTION						
V _{ST}	Startup Voltage	—	2.5	2.8	3.5	V
V _{UVLO}	Minimum Operating Voltage	—	2.3	2.7	3	V
V _{VCC_HYS}	VCC Hysteresis (V _{ST} -V _{UVLO})	—	0.05	—	—	V
I _{VCC_OPR}	Operating Supply Current	V _{VCC} = 5V	—	3.3	6	mA
CC1/CC2 SECTION						
V _{L_RD3A}	Low Voltage Threshold Used to Distinguish R _D Attached or Detached for 3A Delivery	—	—	1.35	—	V
V _{H_RD3A}	High Voltage Threshold Used to Distinguish R _D Attached or Detached for 3A Delivery	—	—	2.0	—	V
CURRENT SOURCE SECTION						
I _{OTP}	OTP Current Source (Note 8)	—	—	100	—	μA
I _{OTP_RANGE}	OTP Current Source Range (Note 8)	—	-8	—	+8	%
FLIP, INT, OTP, LED, and I2C SECTION						
V _{GPIOD}	FLIP, INT, OTP, LED Pins Output Voltage Range (Note 8)	V _{VCC} = 5V	4.37	4.85	5.33	V
V _{GPIOH}	FLIP, INT, OTP, LED Pins Input High Voltage (Note 8)	V _{VCC} = 5V	1.4	—	—	V
V _{GPIOL}	FLIP, INT, OTP, LED Pins Input Low Voltage (Note 8)	V _{VCC} = 5V	—	—	0.4	V
I _{GPIO}	FLIP, INT, OTP, LED Pins Sink/Source Capability (Note 8)	—	2	—	—	mA
V _{I2CO}	SDA, SCL Power Supply Range (Note 8)	V _{VCC} = 5V	—	4.85	—	V
V _{I2CHI}	SDA, SCL Input Low Voltage (Note 8)	V _{CC} = 5V	1.4	—	—	V
V _{I2CLO}	SDA, SCL Input Low Voltage (Note 8)	V _{CC} = 5V	—	—	0.4	V
F _{SCL}	SCL Clock Frequency (Note 8)	—	—	—	400	kHz
PROTECTION FUNCTION SECTION						
V _{OVP5V}	OVP_5V Enable Voltage (Notes 7, 8)	—	—	7	—	V
V _{OVP20V}	OVP_20V Enable Voltage (Notes 7, 8)	—	—	22	—	V
V _{OVP28V}	OVP_28V Enable Voltage (Notes 7, 8)	—	—	31	—	V
t _{DEBOUNCE_OVP}	OVP Debounce Time (Note 9)	—	—	90	—	ms
t _{OV_DELAY}	Delay from OVP Threshold Trip to NMOS Gate Turn-Off (Note 8)	—	—	—	50	ms
T _{OTP}	Internal OTP Temperature	—	—	+130	—	°C
V5V SECTION						
V _{V5V}	V5V Output Range	—	4.37	4.85	5.33	V
I _{V5V}	V5V Source Capability	—	—	30	—	mA
ADC SECTION						
V _{FS}	Full Swing Range	—	—	2.048	—	V
—	Resolution	—	—	8	—	Bit
—	DNL	—	—	1	—	LSB

Notes: 7. 110% OVP setting @ PDO > 18V. PDO+2V OVP setting @ PDO ≤ 18V.

8. Guaranteed by design.

9. OVP blanking time during V_O transition from high output voltage to low output voltage, such as 9V to 5V, or 12V to 5V.

Functional Description

Overview

The AP33772S, a highly integrated USB Type-C PD3.1 sink controller, supports EPR/AVS up to 28V and provides SPR/PPS up to 21V. The device is targeted for DC power request and control for flexible Type-C Connector-equipped Devices (TCDs) with an embedded host MCU (Micro Controller Unit) and I2C interface pins (SCL, SDA).

Cable Attachment and Power-On Initialization

After plugging the cable from a powered PD source adapter into the AP33772S-equipped TCD device, both R_d (shown in Figure 1, a 5.1k Ω resistor defined by the USB Type-C Cable and Connector Specification, Revision 2.0, which can be downloaded from the official USB website) are connected to the Configuration Channel pins (CC1/CC2). According to the USB PD Type C definition, only one of the CC1/CC2 can be pull down by R_d as the cable configuration channel (CC) wire, the other CC1 or CC2 wire will act as VCONN to power the plug from the source side USB PD controller (like to power the e-Marker chip in the cable), thus the CC/VCONN configuration and flip polarity are established. As soon as the above cable attachment flow is completed, the PD source adapter starts broadcasting PD source capabilities to the PD sink through CC pin, which is connected to the AP33772S internal Bi-phase Mark Code (BMC) block.

Meanwhile, the AP33772S starts to do power on initiation as soon as its VCC pin is powered from the 5V VBUS. After its internal MCU default configuration and registers are set up, the AP33772S will act as a I2C slave device and wait for the external host MCU to load the TCD configuration parameters to the internal I2C registers of the AP33772S, and then to update the AP33772S internal configuration accordingly.

During the negotiation, the source capabilities are stored in the AP33772S internal registers and the external MCU will read the source capabilities information through I2C interface. A total of 13 PDO registers are used to store the source capabilities of PD adapter, including 7 for SPR and 6 for EPR as Figure 3 below.

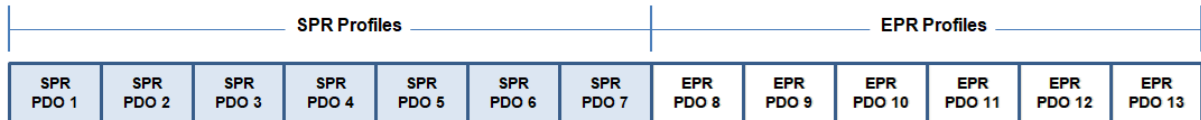


Figure 3. A Total of 13 PDO Registers Are Used to Store the Source Capabilities of PD Adapter

Once the source capability is received, the AP33772S will reply with a CRC good command and first request a default 5V from the source adapter. The AP33772S is now powered by the 5V profile from the source adapter and waiting for host MCU to deliver requests for a new PDO power profile or other control commands through the I2C interface.

I2C Interface and Control

I2C interface (SCL, SDA pins) and INT pin are used as the communication channels between the AP33772S and the host MCU of the TCD device. During the power-on initialization, the host MCU needs to deliver the system configuration parameters to the AP33772S for its internal setup. After the system set up, the host MCU can timely update the power profiles from the source adapter capability. Meanwhile, the system MCU can monitor the AP33772S internal registers and then give a control of the system operation through I2C commands accordingly.

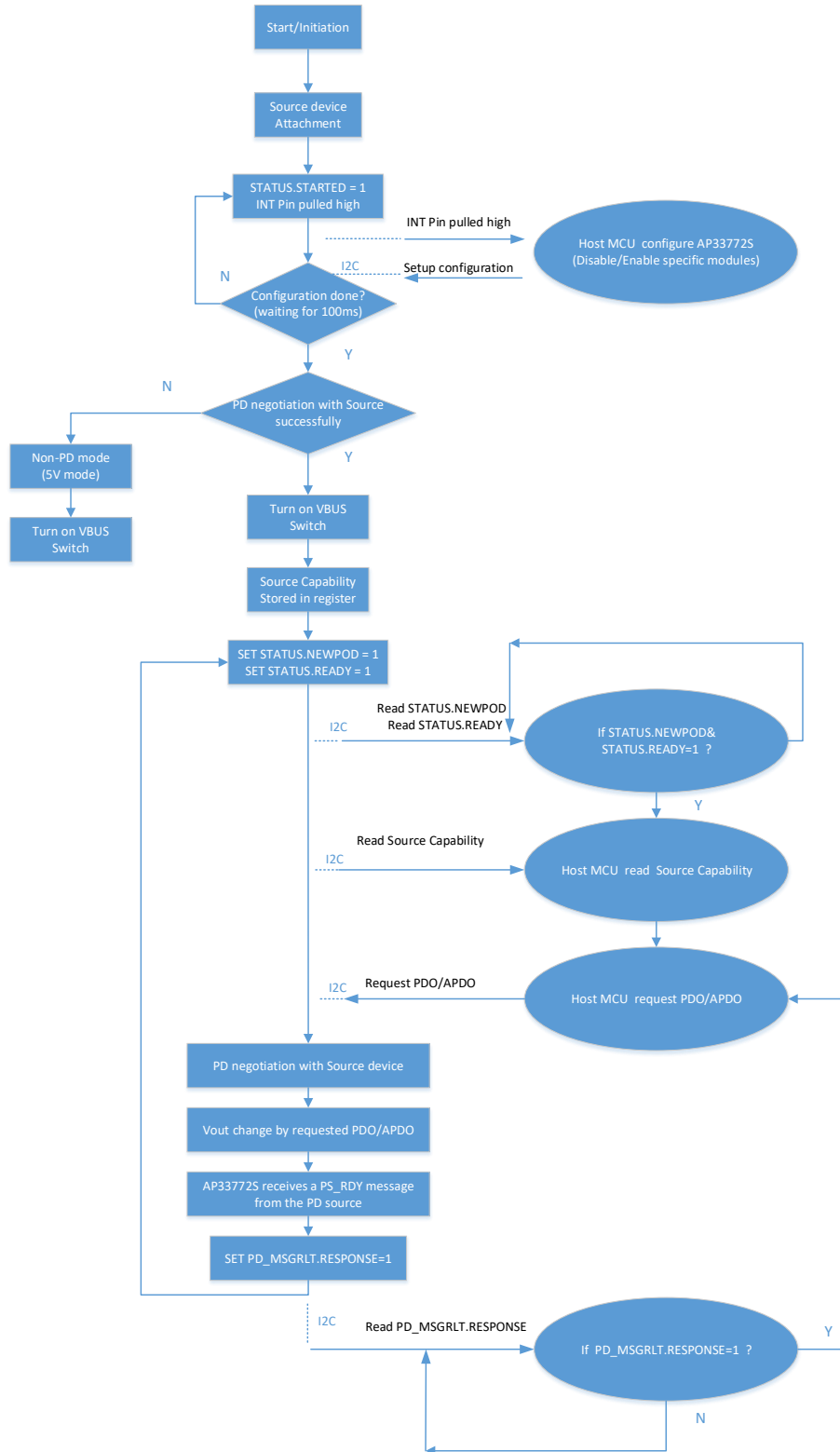
All of the I2C commands used in the AP33772S are summarized in Table 16. The functions include:

1. PDO information getting and New PDO request (i.e. Table 2, 3)
2. Protection threshold setting (i.e. Table 4, 5, 6, 7, 8)
3. System configuration setting (i.e. Table 3, 9, 10)
4. System data acquisition
5. System status inquiry (i.e. Table 11, 12, 13)
6. Legacy support (i.e. Table 14)

Functional Description (continued)

Power Policy Management Flowchart

Below is the power policy management flowchart of the AP33772S. Any source side power device connected to the AP33772S, it will follow this flow to handle power requests and related actions.



Functional Description (continued)

Source PDO Information Getting

Before selecting a new PDO profile, the host MCU should get the total PDO register information that has been placed in the AP33772S I2C registers through the I2C read commands. The AP33772S provides a 26-byte I2C command SRCPDO (0x20), which can read all the 13 PDOs at one time. In addition, there are 13 commands provided for host MCU to read each PDO information individually, where SRC_SPR_PDO1 (0x21) to SRC_SPR_PDO7 (0x27) and SRC_EPR_PDO8 (0x28) to SRC_EPR_PDO13 (0x2D) are used for SPR PDOs and EPR PDOs respectively.

The AP33772S will echo each PDO read command with a 2-byte data which includes the PDO type (SPR, EPR, Fixed, PPS, AVS), voltage range (minimum, maximum) and current maximum.

Request a New Source PDO

The host MCU can select a suitable PDO to fit in the system application request and then deliver it to the AP33772S through I2C command PD_REQMSG (0x31). It is a 16-bit word used to send the message of requested PDO, Operating Current and Output Voltage settings for APDO at runtime as shown in Table 2 below, where:

1. PDO_INDEX can assign the target PDO from the PDO index (information stored in the PDO register).
2. CURRENT_SEL can set the operating current value of RDO.
3. VOLTAGE_SEL can set the output voltage value of PPS/AVS RDO, only for assigned APDO (Augmented PDO).

PD_REQMSG	Bit	Attribute	Pwr-On	Description
PDO_INDEX	12:15	WO	0h	[0001] to [0111]: For SPR PDO1 to PDO7, [1000] to [1101]: For EPR PDO8 to PDO13, if its corresponding PDO is detected. Others = Reserved
CURRENT_SEL	8:11	WO	0h	Operating Current Select [0000] to [1111] = 1.00A to 5.00A
VOLTAGE_SEL	0:7	WO	0h	VOLTAGE_SEL has no meaning for Fixed PDO selected If set B [15] = 0 (select SPR): output voltage in 100mV/unit for PPS APDO selected If set B [15] = 1 (select EPR): output voltage in 200mV/unit for AVS APDO selected

Table 2. The I2C Command PD_REQMSG (0x31) Is Used to Refresh Existing Sink RDO

After the AP33772S receiving PD_REQMSG command, it will generate a new RDO of voltage and current and then starts to negotiate with PD source. Once the negotiation is completed, both the registers of STATUS and PD_MSGRLT are updated accordingly.

Meanwhile, the AP33772S also provides a simple command to request Maximum current and Maximum voltage of the selected source PDO by setting only the PDO_INDEX to the desired source PDO and keep CURRENT_SEL = 0xF and VOLTAGE_SEL = 0xFF.

For example, if source PDO3 is valid then the host MCU can write PD_REQMSG with 0x3FFF, and the AP33772S will request the Maximum current and Maximum voltage of source PDO3.

Support EPR / AVS

If the PD Source supports EPR Mode, after the first negotiation, the AP33772S will try to enter EPR Mode when PDCONFIG (0x05) is set to 1 at EPR_MODE bit, as Table 3 below. If successfully entering EPR Mode, the AP33772S stores the EPR Source Capability in SRC_EPR_PDOx registers (0x28 to 0x2D) and enables EPR request.

PDCONFIG	Bit	Attribute	Pwr-On	Description
—	7:4	RW	0h	Reserved
—	3	RW	0h	Reserved
DRSWP_EN	2	RW	0h	0/1: Reject/Accept Data Role Swap from Port Partner, and set Dual-Role Data bit of Sink Fixed PDO to 0/1
PPS_AVS_EN	1	RW	1h	0/1: Disable/Enable sink PPS and AVS capability
EPR_MODE_EN	0	RW	1h	0/1: Disable/Enable EPR mode

Table 3. The I2C Command PDCONFIG (0x05) Is Used to Enable Sink EPR Mode

Functional Description (continued)

Default Voltage Selection (Function only for AP33772SDKZ-13-FA02)

Before the host MCU completes PDO negotiation with the AP33772S, the device supports setting up a desired original default voltage value through external resistor setting. Up to eight resistors connected to the VSEL pin are supported for voltage selection. It is recommended to use the resistors with $\pm 1\%$ accuracy or better, to connect to the VSEL pin to ensure the request selection. The mapping between VSEL selection and resistance values is illustrated in Table 4. The original default voltage set by external resistor will be covered by the selected PDO after the host MCU establishes communication with the AP33772S through I2C. If the VSEL setting does not match the PD Source capability, the AP33772S will request the default Fixed_5V PDO and the maximum current to negotiate with the source.

Index	1	2	3	4	5	6	7	8
VSEL	5V	9V	12V	15V	20V	28V	Reserved	Reserved
RVSEL (k Ω , 1%)	100 or Floating	82	66	52	39	26	15	5.1

Table 4. The Mapping between VSEL Amplitudes and Resistance Values

Integrated Power Protection

Based on high-voltage process, the AP33772S offers short-protection between CC1/CC2 pins and adjacent high-voltage pins up to 34V. In addition, the built-in firmware of the AP33772S offers comprehensive safety protection schemes, including OTP, OCP, OVP and UVP. Besides, moisture detection of the connector is provided. When a protection mechanism is triggered, the associated VOUT MOS switch is turned off to disconnect VBUS from VOUT.

Overtemperature Protection (OTP) and Thermal De-rating

An NTC thermistor is used to measure temperature of potential hot spot on the board. NTC can be connected to a constant current source of 100 μ A at OTP pin. As the temperature changes NTC resistance changes, with the AP33772S internal ADC, OTP pin voltage is measured and the NTC resistance can be calculated. The AP33772S then estimates the temperature value based on the 4 user-input NTC resistance values (refer to **Temperate Estimation**) and this estimated temperature can be read by accessing TEMP (0x13) register through an I2C command.

The I2C command OTPTHR (0x1A) register, as shown in Table 5, is used to set OTP threshold, and is 78h (+120 $^{\circ}$ C) by default. If the TEMP value rises over the OTPTHR value after the de-bouncing time, the OTP is triggered, and STATUS Bit [6] is set to High. The associated output enable MOS switch will be turned off.

OTPTHR	Bit	Attribute	Pwr-On	Description
OTPTHR	7:0	RW	78h	OTP threshold, Unit: $^{\circ}$ C The temperature threshold triggers the OTP function, the default value for OTPTHR is 78h (+120 $^{\circ}$ C).

Table 5. The I2C Command OTPTHR (0x1A) Is Used to Set OTP Threshold

Furthermore, the AP33772S includes I2C command DRTHR (0x1B) register, as shown in Table 6 below, which can be used to program threshold temperature to trigger power de-rating function. If TEMP value rises above DRTHR, for PDO supporting PPS APDO, after de-bouncing time (30ms), the device will send out new RDO to negotiate with PDO source device, to reduce the input current by 50%. The AP33772S monitors the temperature at the potential hot spot continuously (with 1kHz sampling frequency), through NTC. If TEMP value falls 10C below DRTHR, the device negotiates with PDO again and recovers the charging power.

DRTHR	Bit	Attribute	Pwr-On	Description
DRTHR	7:0	RW	78h	De-Rating threshold, Unit: $^{\circ}$ C The temperature threshold triggers Power De-Rating procedure, the default value for DRTHR is 78h (+120 $^{\circ}$ C).

Table 6. The I2C Command DRTHR (0x1B) Is Used to Set De-Rating Threshold

In addition, the internal OTP is supported through Internal junction temperature detection. When the temperature goes beyond the internal OTP threshold, the associated VOUT MOS switch is turned off to disconnect VBUS from VOUT.

Functional Description(continued)

Overcurrent protection (OCP) Threshold Setting

The AP33772S supports OCP to control the output load condition by monitoring the output current through detection of IR drop on the 5mΩ Rsense resistor. Once the TCD device draws more current than the OCP threshold level after de-bounce time (30ms), the AP33772S enters FAULT states by turning off the VOUT MOS Switches.

Table 7 below shows the correspondence between OCPTHR and OCP Threshold Current, where the OCPTHR stands for IocPTHR, OCP threshold current defined by user via I2C command OCPTHR (0x19). The user defined OCPTHR value is an 8-bit register with 50mA/LSB and 00h by default.

After successful negotiation with the PD source, if the OCPTHR value is still 00h, the OCP Threshold Current would be 110% of the I_{MAX}, maximum current of the selected PDO/APDO. If the OCPTHR value has been updated through I2C command, the OCP Threshold Current would be 110% of IocPTHR value.

OCPTHR	OCP Threshold Current
OCPTHR = 0	I _{MAX} * 110% (Note 10)
OCPTHR != 0	IocPTHR* 110%

Note 10: I_{MAX}: Maximum Current of PDO/APDO.

Table 7. Correspondence between OCPTHR and OCP Threshold Current

Overvoltage Protection (OVP) Threshold and Adjustment

The AP33772S triggers the OVP protection when VBUS voltage is higher than OVP threshold voltage. The Table 8 below summarizes the correspondence between V_{VREQ}, V_{OVPOS} and OVP threshold voltage, where V_{VREQ} is the voltage requested after successful power negotiation with the PD source adapter, and V_{OVPOS} is the OVP offset, refer to Table 16 for V_{OVPOS} programming via I2C command OVPTHR (0x18). If VBUS voltage is higher than OVP threshold value in OVPTHR after the de-bounce time limit, the AP33772S enters the FAULT state, where the VOUT MOS Switches are turned off.

Mode	Criteria	OVP Threshold Voltage
SPR Mode	(V _{VREQ} + V _{OVPOS}) ≤ 20V	V _{VREQ} + V _{OVPOS}
	(V _{VREQ} + V _{OVPOS}) > 20V	V _{VREQ} * 110%
EPR Mode	(V _{VREQ} + V _{OVPOS}) ≤ 40V	V _{VREQ} + V _{OVPOS}
	(V _{VREQ} + V _{OVPOS}) > 40V	V _{VREQ} * 110%

Table 8. Correspondence between V_{VREQ}, V_{OVPOS} and OVP Threshold Voltage

Undervoltage Protection (UVP) Threshold Adjustment

The AP33772S triggers the UVP protection when VBUS voltage is lower than UVP threshold Voltage. The Table 9 below shows the relation between under voltage protection level, UVPTHR, and UVP threshold voltage. The default value of UVPTHR is 80%, which can be modified via I2C command UVPTHR (0x17). If VBUS voltage is lower than UVP threshold after de-bounce time, the AP33772S enters FAULT state, where the VOUT MOS switches are turned off.

UVPTHR	UVP Threshold Voltage
1	V _{VREQ} * 80%
2	V _{VREQ} * 75%
3	V _{VREQ} * 70%

Table 9. Correspondence between V_{VREQ}, UVPTHR and UVP Threshold Voltage

Moisture Detection

The AP33772S supports the moisture detection of the connector. As soon as the Type-C connector is plugged in, the impedance between DN/DP pin and ground is evaluated by internal ADC digitization and firmware calculation. If the impedance level is below the pre-determined threshold, the VOUT MOS switch is turned off to disconnect VBUS from VOUT, and the LED is tuned off and on, with the “MOISTURE” pattern accordingly, see LED Indication section for details. If the impedance check is normal, the AP33772S starts to negotiate with the source.

Functional Description (continued)

VOUT Enable Switch

Taking VBUS voltage as input, the built-in charge-pump circuit generates a high-voltage gate driver (PWR_EN) to drive an external high-side NMOS switch. A 6.2kΩ resistance is suggested to connect the PWR_EN to the NMOS gate. Once the PDO negotiations between source and sink are successful, and the VVREQ, the requested voltage, is greater than VVSELMIN, the PWR_EN enables the NMOS switch and connects VBUS to VOUT. Otherwise, the NMOS switch will remain turned off, and VBUS is disconnected from VOUT.

Meanwhile, the NMOS VOUT enable switch is also used for power protection. Whenever output overvoltage, undervoltage, overcurrent, or over temperature occurs, the AP33772S enters the FAULT state, where the VOUT MOS Switches are turned off to protect the host system from possible damage. To get out of the Fault state, the host MCU will need to load new RDO to start a PDO negotiation process to resume charging operation.

Protection Mode Configuration

To fit the comprehensive application scenarios, the power protection modes in the AP33772S are configurable through the I2C command CONFIG (0x04) as shown in Table 10 below.

CONFIG	Bit	Attribute	Pwr-On	Description
DR_EN	7	RW	1h	0/1: Disable/enable DR (De-Rating) function
OTP_EN	6	RW	1h	0/1: Disable/enable OTP function
OCP_EN	5	RW	1h	0/1: Disable/enable OCP function
OVP_EN	4	RW	1h	0/1: Disable/enable OVP function
UVP_EN	3	RW	1h	0/1: Disable/enable UVP function
—	2	RW	0h	Reserved
—	1	RW	0h	Reserved
—	0	RW	0h	Reserved

Table 10. The CONFIG Command Is Used to Configure the Power Protection Schemes

Interrupt Signal

The AP33772S supports a level-triggered interrupt signal through INT pin to the host MCU. The I2C command MASK (0x02) defines enable or disable of each interruptible event as shown in Table 11 below. The interrupt initialization is required before use. When the defined interruptible event happens, the AP33772S will set the INT pin output to level HIGH if the relevant event of the MASK register is enabled.

MASK	Bit	Attribute	Pwr-on	Description
—	7	RW	0h	Reserved
OTP_MSK	6	RW	0h	1: OTP status mask
OCP_MSK	5	RW	0h	1: OCP status mask
OVP_MSK	4	RW	0h	1: OVP status mask
UVP_MSK	3	RW	0h	1: UVP status mask
NEWPDO_MSK	2	RW	0h	1: NEWPDO status mask
READY_MSK	1	RW	1h	1: READY status mask
STARTED_MSK	0	RW	1h	1: STARTED status mask

Table 11. The MASK Register Defines Enable or Disable of Each Interruptible Event

System Data Acquisition

During the normal operation, the host MCU can monitor the PDO negotiation result (VREQ and IREQ), and its VOUT timely status (VOUT voltage and current) through I2C commands. VREQ (0x14) and IREQ (0x15) are used to read the voltage and current requested, and VOLTAGE (0x11) and CURRENT(0x12) are used to read Output status. Meanwhile, the I2C command TEMP (0x13) is used to read the system temperature.

System Status and Operating Mode Inquiry

The Host system MCU can monitor the PD system status through I2C interface. The Status command (0x01) is an 8-bit register and used to store the AP33772S status as Table 12 below.

Meanwhile, the user can read out the PD operating modes through I2C command OPMODE (0x03), as shown in Table 13 below, where CC Flip information and power source type are provided.

Functional Description (continued)

System Status and Operating Mode Inquiry (continued)

STATUS	Bit	Attribute	Pwr-On	Description
—	7	RC	0h	Reserved
OTP	6	RC	0h	1: OTP status
OCP	5	RC	0h	1: OCP status
OVP	4	RC	0h	1: OVP status
UVP	3	RC	0h	1: UVP status
NEWPDO	2	RC	0h	1: New source PDOs received (Valid when PDMOD = 1)
READY	1	RC	0h	1: Ready to receive I2C request/command
STARTED	0	RC	0h	1: System started. Allow system configuration (register) to be updated within 100ms

Table 12. The STATUS Command Is Used to Monitor AP33772S Operating Status

OPMODE	Bit	Attribute	Pwr-On	Description
CCFLIP	7	RO	0h	0: CC1 is connected to CC line or unattached mode 1: CC2 is connected to CC line
DR	6	RO	0h	0: Normal mode 1: DR (De-rating) mode
DATARL	5	RO	0h	The current Port Data Role
—	4	RO	0h	Reserved
—	3	RO	0h	Reserved
—	2	RO	0h	Reserved
PDMOD	1	RO	0h	1: PD source connected
LGCYMOD	0	RO	0h	1: Legacy source connected (non-PD)

Table 13. The OPMODE Command Is Used to Monitor if PD or Legacy Source Is Connected
GPIO Control (Function only for AP33772SDKZ-13-FA02)

The Host system MCU can control the status of GPIO pin through I2C interface. The GPIO command (0x52) is an 8-bit register and used to control the GPIO (PIN 7) status as Table 14 below.

GPIO	Bit	Attribute	Pwr-On	Description
GPIO_PU_EN	7	RW	0h	Enable GPIO internal pull-up resistor
GPIO_PD_EN	6	RW	0h	Enable GPIO internal pull-down resistor
—	5	RO	0h	—
—	4	RO	0h	—
GPIO_DI	3	RO	0h	GPIO input data
GPIO_IE	2	RW	0h	Enable GPIO input data
GPIO_DO	1	RW	0h	0: output 'LO' 1: output 'HI'
GPIO_OE	0	RW	0h	Enable GPIO output mode

Table 14. The GPIO Command Is Used to Control the GPIO Pin

Functional Description (continued)

LED Indication

The AP33772S drives external LED lighting to show state indication through LED pin. The Table 15 below summarizes the LED indication and VOUT result in each state.

State	LED Indication	VOUT	Comments
INIT	NA	OFF	VBUS/Rp attached and AP33772S initialization
CHARGING	4-sec Breathing	ON	Successful negotiation or enter Non-PD Mode and start charging
MISMATCH	Full Light	OFF	VSELMIN mismatch (VREQ < VSELMIN)
MOISTURE	2-sec Flicker	OFF	Abnormal impedance detected in the Type-C connector
FAULT	0.6-sec Flicker	OFF	OVP, OCP, UVP or OTP occurs

Table 15. LED Indication for Different Negotiation Results

Legacy Type-A Charger Support

When the energy source is from a legacy Type-A charger with Type-A to Type-C cable connection to the TCD, the AP33772S enters the Non-PD Mode after PD negotiation fails. When VSELMIN is greater than VREQ, the associated VOUT MOS Switches are turned off. The Table 16 below shows the Non-PD Mode state of the AP33772S.

Non-PD Mode State		
VREQ	VSELMIN	VOUT
VREQ = 5V	VSELMIN = 5V	ON
VREQ = 5V	VSELMIN ≥ 9V	OFF

Table 16. VOUT Voltage Status versus VSELMIN under Non-PD Mode

Temperature Estimation

An external NTC Thermistor can be connected to OTP pin to measure external temperature. OTP pin is connected to constant current source internally. As temperature changes NTC resistance changes, which is measured to estimate the temperature. With the AP33772S internal ADC, OTP pin voltage is measured and the NTC resistance can be calculated. The AP33772S then estimates the temperature value based on the 4 user-input NTC resistance values (TR25, TR50, TR75 and TR100), as shown in Figure 4 below, where the “LINEAR INTERPOLATION” and “LINEAR EXTRAPOLATION” are used for the inner range and outer range respectively. The estimated temperature is updated to internal register for I2C command TEMP (0x13) reading.

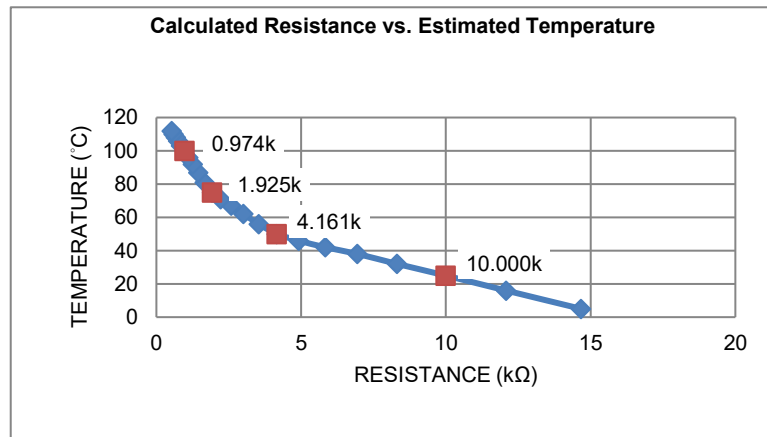


Figure 4. Calculated Resistance vs. Estimated Temperature Plot (RED Dot Shows Default Setting Values)

Functional Description (continued)

Temperature Estimation (continued)

The host MCU must initialize the TR25, TR50, TR75 and TR100 registers before reading TEMP register or enabling OTP protection and power derating functions. Otherwise, the Murata NTC NCP03XH103 4-point data as Table 17 below are used as default. The user can change the default 4-point data through I2C commands: TR25 (0x0C), TR50 (0x0D), TR75 (0x0E) and TR100 (0x0F), if a different NTC make is chosen.

Register	Default Value	NTC Resistance (kΩ)	Temperature (°C)
TR25	2710h	10	+25
TR50	1041h	4.161	+50
TR75	0788h	1.928	+75
TR100	03CEh	0.974	+100

Table 17. The 4-Point NTC Resistances and Temperatures Are Used as Default in AP33772S

Data Role Swap function (Function only for AP33772SDKZ-13-FA02)

DRSWP_EN bit of register PDGONFIG can set 1 to accept Data Role Swap from Port Partner and set 0 to reject Data Role Swap from Port Partner. Default value of DRSWP_EN bit of register PDGONFIG is 0.

Current Port Data Role can be read in the DATARL bit of register OPMODE

Write 1 DRSWP bit of register PD_CMDMSG to send Data Role Swap information to Port Partner

PD_CMDMSG	Bit	Attribute	Pwr-On	Description
—	7:4	WO	0h	Reserved
—	3	WO	0h	Reserved
—	2	WO	0h	Reserved
DRSWP	1	WO	0h	1: Issue DR_Swap command
HRST	0	WO	0h	1: Issue Hard Reset command

Table 18. The PD_CMDMSG Command

Functional Description (continued)

I2C Command Set Summary

The I2C commands used in the AP33772S are listed in Table 19 below.

Register	Command	Length	Pwr-On	Description
STATUS	0x01	1	00h	Status
MASK	0x02	1	03h	Interrupt enable mask
OPMODE	0x03	1	00h	Operation mode
CONFIG	0x04	1	F8h	System configuration options
PDCONFIG	0x05	1	03h	PD mode configuration options
SYSTEM	0x06	1	10h	System control and information
TR25	0x0C	2	2710h	Thermal Resistance @+25°C, Unit: Ω
TR50	0x0D	2	1041h	Thermal Resistance @+50°C, Unit: Ω
TR75	0x0E	2	0788h	Thermal Resistance @+75°C, Unit: Ω
TR100	0x0F	2	03CEh	Thermal Resistance @+100°C, Unit: Ω
VOLTAGE	0x11	2	0000h	The VOUT Voltage, LSB 80mV
CURRENT	0x12	1	00h	The VOUT Current, LSB 24mA
TEMP	0x13	1	19h	Temperature, Unit: °C The default value is 19h (+25°C).
VREQ	0x14	2	0000h	The latest requested voltage negotiated with the source, LSB 50mV
IREQ	0x15	2	0000h	The latest requested current negotiated with the source, LSB 10mA
VSELMIN	0x16	1	19h	The Minimum Selection Voltage, LSB 200mV The default value is 19h (5000mV).
UVPTHR	0x17	1	01h	UVP threshold, percentage (%) of VREQ The default value is 01h (80%).
OVPTHR	0x18	1	19h	OVP threshold, offset from VREQ. LSB 80mV The default value is 19h (2000mV).
OCPTHR	0x19	1	00h	OCP threshold, LSB 50mA
OTPTHR	0x1A	1	78h	OTP threshold, Unit: °C The default value is 78h (+120°C).
DRTHR	0x1B	1	78h	De-rating threshold, Unit: °C The default value is 78h (+120°C).
SRCPDO	0x20	26	All 00h	Get All PD Source Power Capabilities (PDO1 to PDO13)
SRC_SPR_PDO1	0x21	2	0000h	Source SPR PDO1
SRC_SPR_PDO2	0x22	2	0000h	Source SPR PDO2
SRC_SPR_PDO3	0x23	2	0000h	Source SPR PDO3
SRC_SPR_PDO4	0x24	2	0000h	Source SPR PDO4
SRC_SPR_PDO5	0x25	2	0000h	Source SPR PDO5
SRC_SPR_PDO6	0x26	2	0000h	Source SPR PDO6
SRC_SPR_PDO7	0x27	2	0000h	Source SPR PDO7
SRC_EPR_PDO8	0x28	2	0000h	Source EPR PDO8
SRC_EPR_PDO9	0x29	2	0000h	Source EPR PDO9
SRC_EPR_PDO10	0x2A	2	0000h	Source EPR PDO10
SRC_EPR_PDO11	0x2B	2	0000h	Source EPR PDO11
SRC_EPR_PDO12	0x2C	2	0000h	Source EPR PDO12
SRC_EPR_PDO13	0x2D	2	0000h	Source EPR PDO13
PD_REQMSG	0x31	2	0000h	Send request message with selected voltage, current and PDO index
PD_CMDMSG	0x32	1	00h	Send specific PD command message
PD_MSGRLT	0x33	1	00h	Result and status of PD request or command message
GPIO	0x52	1	00h	GPIO (Function only for AP33772SDKZ-13-FA02)

Table 19. The I2C Commands Provided in AP33772S PD3.1 Sink Controller Are Illustrated

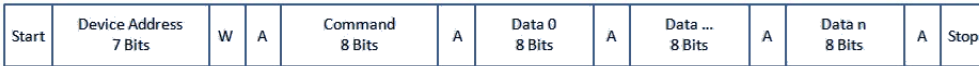
Functional Description (continued)

I2C Command Format

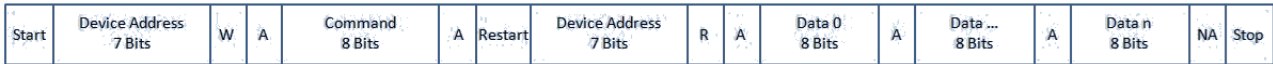
The AP33772S supports I2C communication with external system MCU through SDA, SCL and Interrupt pins after the power on reset. As an I2C slave device, the physical address of the AP33772S is 0x52. The I2C read and write operations are illustrated as below. All transactions begin with a Start and end with a Stop. A Start condition is defined as a HIGH to LOW transition of the SDA while SCL is HIGH. A Stop condition is defined as a LOW to HIGH transition of the SDA while SCL is HIGH. Start and Stop conditions are always generated by the I2C master, the host MCU of the TCD.

Data transfers follow the format shown below. After the Start condition, a slave address is sent. This address is 7 bits long followed by an eighth bit which is a data read/write bit (R/W) - a 'zero' indicates a data write (W), a 'one' indicates a data read (R). A data transfer is always terminated by a Stop condition generated by the master. However, if a master still wishes to communicate on the bus, it can generate a repeated Start condition (Restart) and address another slave without first generating a Stop condition. Each byte has to be followed by an acknowledge bit (A). The acknowledge-related clock pulse is generated by the master. The transmitter releases the SDA line (HIGH) during the acknowledge clock pulse. The receiver must pull down the SDA line to indicate data received during the acknowledge clock pulse.

I2C Format for Write Data:



I2C Format for Read Data:



The memory representation of multi-byte data types on the AP33772S is Little Endian Byte Order. The least significant byte (the "little end") of the data is placed at the byte with the lowest address. For example, if the integer is stored as 4 bytes, then a variable X with value of 0x12345678 will be stored as Figure 5 below:

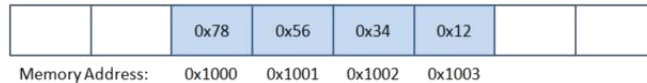
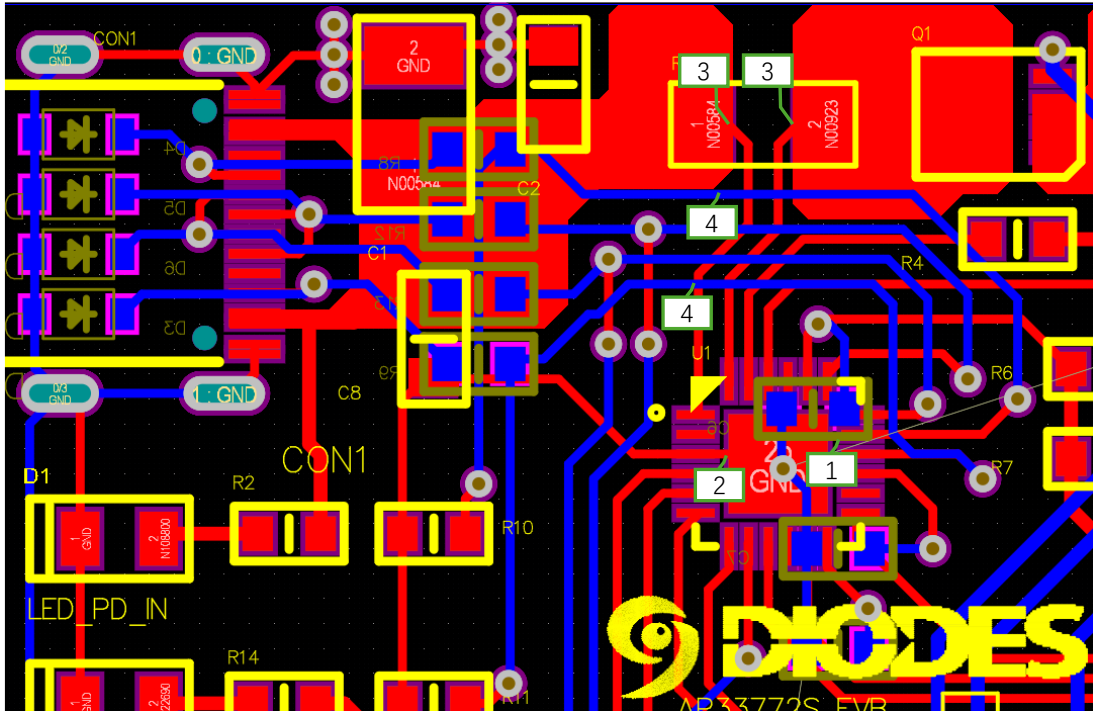


Figure 5. The Little Endian Byte Order is Used in AP33772S

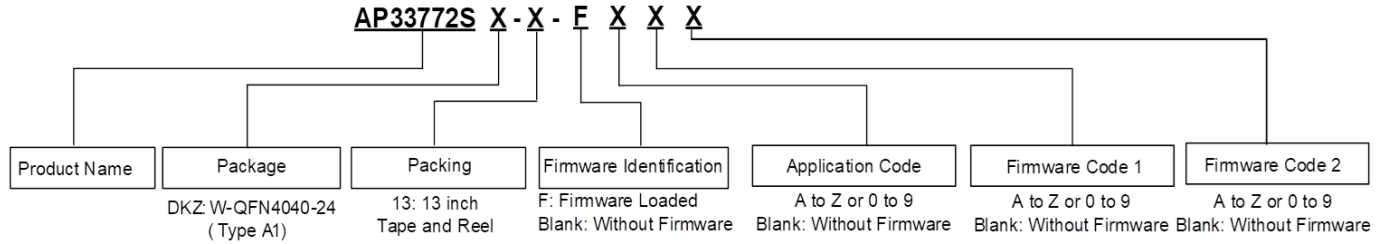
PCB Layout Guideline

Suitable PCB layout is critical for stable operation and better ESD performance. Follow some guidelines as below:

1. Place the Vcc/V5V decoupling capacitor as close to the pins as possible.
2. The exposed pad of the IC must be connected to GND. It is better for noise immunity.
3. Current sensing traces must start directly from the footprint pads of current sensing resistor.
4. Use traces to connect CC1/CC2 pins to the USB Type-C receptacle as short as possible.



Ordering Information (Note 12)



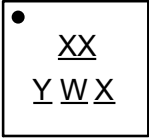
Orderable Part Number (Note 11)	Package	Identification Code	Firmware Inside	Packing	
				Qty.	Carrier
AP33772SDKZ-13-FA02	W-QFN4040-24 (Type A1)	6Y	Standard Firmware (Function as Described in Datasheet)	3000	13" Tape & Reel
AP33772SDKZ-13-FXXX			Customized Firmware		

Notes: 11. It is recommended to order Standard Firmware device based on functions described in datasheet. For without firmware and customized options, please contact local distributor or Diodes Incorporated.
 12. For packaging details, go to our website at <https://www.diodes.com/design/support/packaging/diodes-packaging/>.

Marking Information

W-QFN4040-24 (Type A1)

(Top View)

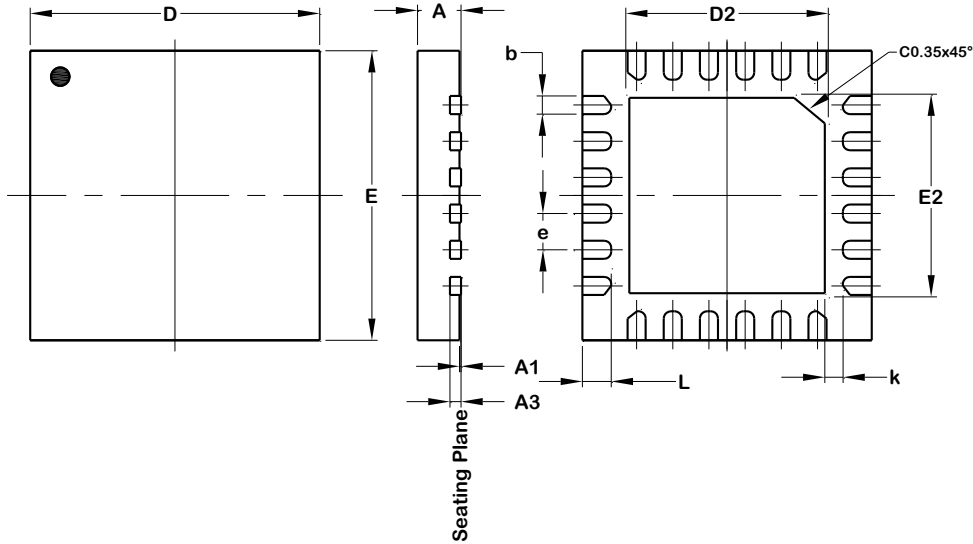


- XX** : Identification Code
- Y** : Year : 0 to 9
- W** : Week : A to Z : 1 to 26 Week;
a to z : 27 to 52 Week; z Represents
52 and 53 Week
- X** : Internal Code

Package Outline Dimensions

Please see <http://www.diodes.com/package-outlines.html> for the latest version.

W-QFN4040-24 (Type A1)

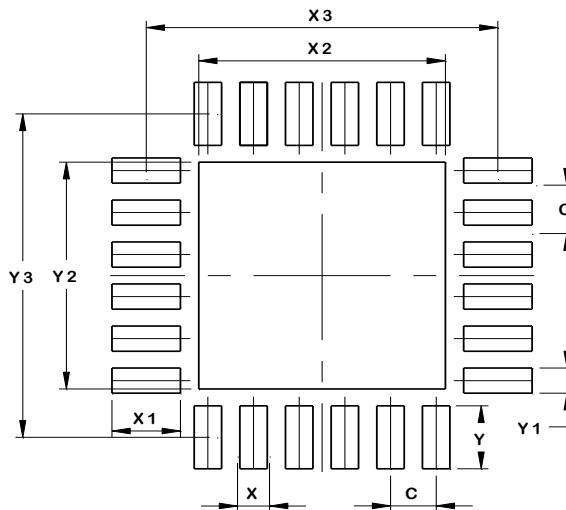


W-QFN4040-24 (Type A1)			
Dim	Min	Max	Typ
A	0.70	0.80	0.75
A1	0.00	0.05	0.02
A3	0.203 REF		
b	0.18	0.30	0.25
D	4.00 BSC		
D2	2.65	2.75	2.70
E	4.00 BSC		
E2	2.65	2.75	2.70
e	0.50 BSC		
k	0.20	--	--
L	0.35	0.45	0.40
All Dimensions in mm			

Suggested Pad Layout

Please see <http://www.diodes.com/package-outlines.html> for the latest version.

W-QFN4040-24 (Type A1)



Dimensions	Value (in mm)
C	0.500
X	0.300
X1	0.750
X2	2.700
X3	3.850
Y	0.750
Y1	0.300
Y2	2.700
Y3	3.850

Mechanical Data

- Moisture Sensitivity: Level 1 per J-STD-020
- Terminals: Finish — Matte Tin Plated Leads, Solderable per J-STD-202 ③
- Weight: 0.041 grams (Approximate)

IMPORTANT NOTICE

1. DIODES INCORPORATED (Diodes) AND ITS SUBSIDIARIES MAKE NO WARRANTY OF ANY KIND, EXPRESS OR IMPLIED, WITH REGARDS TO ANY INFORMATION CONTAINED IN THIS DOCUMENT, INCLUDING, BUT NOT LIMITED TO, THE IMPLIED WARRANTIES OF MERCHANTABILITY, FITNESS FOR A PARTICULAR PURPOSE OR NON-INFRINGEMENT OF THIRD PARTY INTELLECTUAL PROPERTY RIGHTS (AND THEIR EQUIVALENTS UNDER THE LAWS OF ANY JURISDICTION).
2. The Information contained herein is for informational purpose only and is provided only to illustrate the operation of Diodes' products described herein and application examples. Diodes does not assume any liability arising out of the application or use of this document or any product described herein. This document is intended for skilled and technically trained engineering customers and users who design with Diodes' products. Diodes' products may be used to facilitate safety-related applications; however, in all instances customers and users are responsible for (a) selecting the appropriate Diodes products for their applications, (b) evaluating the suitability of Diodes' products for their intended applications, (c) ensuring their applications, which incorporate Diodes' products, comply the applicable legal and regulatory requirements as well as safety and functional-safety related standards, and (d) ensuring they design with appropriate safeguards (including testing, validation, quality control techniques, redundancy, malfunction prevention, and appropriate treatment for aging degradation) to minimize the risks associated with their applications.
3. Diodes assumes no liability for any application-related information, support, assistance or feedback that may be provided by Diodes from time to time. Any customer or user of this document or products described herein will assume all risks and liabilities associated with such use, and will hold Diodes and all companies whose products are represented herein or on Diodes' websites, harmless against all damages and liabilities.
4. Products described herein may be covered by one or more United States, international or foreign patents and pending patent applications. Product names and markings noted herein may also be covered by one or more United States, international or foreign trademarks and trademark applications. Diodes does not convey any license under any of its intellectual property rights or the rights of any third parties (including third parties whose products and services may be described in this document or on Diodes' website) under this document.
5. Diodes' products are provided subject to Diodes' Standard Terms and Conditions of Sale (<https://www.diodes.com/about/company/terms-and-conditions/terms-and-conditions-of-sales/>) or other applicable terms. This document does not alter or expand the applicable warranties provided by Diodes. Diodes does not warrant or accept any liability whatsoever in respect of any products purchased through unauthorized sales channel.
6. Diodes' products and technology may not be used for or incorporated into any products or systems whose manufacture, use or sale is prohibited under any applicable laws and regulations. Should customers or users use Diodes' products in contravention of any applicable laws or regulations, or for any unintended or unauthorized application, customers and users will (a) be solely responsible for any damages, losses or penalties arising in connection therewith or as a result thereof, and (b) indemnify and hold Diodes and its representatives and agents harmless against any and all claims, damages, expenses, and attorney fees arising out of, directly or indirectly, any claim relating to any noncompliance with the applicable laws and regulations, as well as any unintended or unauthorized application.
7. While efforts have been made to ensure the information contained in this document is accurate, complete and current, it may contain technical inaccuracies, omissions and typographical errors. Diodes does not warrant that information contained in this document is error-free and Diodes is under no obligation to update or otherwise correct this information. Notwithstanding the foregoing, Diodes reserves the right to make modifications, enhancements, improvements, corrections or other changes without further notice to this document and any product described herein. This document is written in English but may be translated into multiple languages for reference. Only the English version of this document is the final and determinative format released by Diodes.
8. Any unauthorized copying, modification, distribution, transmission, display or other use of this document (or any portion hereof) is prohibited. Diodes assumes no responsibility for any losses incurred by the customers or users or any third parties arising from any such unauthorized use.
9. This Notice may be periodically updated with the most recent version available at <https://www.diodes.com/about/company/terms-and-conditions/important-notice>

The Diodes logo is a registered trademark of Diodes Incorporated in the United States and other countries.
All other trademarks are the property of their respective owners.
© 2026 Diodes Incorporated. All Rights Reserved.

www.diodes.com