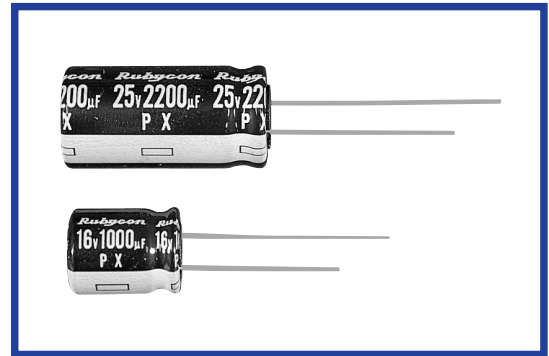


**PX SERIES**

105°C Standard

◆FEATURES

•RoHS compliance.



◆SPECIFICATIONS

Items	Characteristics																
Category Temperature Range	-55~+105°C	-40~+105°C	-25~+105°C														
Rated Voltage Range	6.3~100V.DC	160~400V.DC	450V.DC														
Capacitance Tolerance	±20%(20°C, 120Hz)																
Leakage Current(MAX)	6.3~100V.DC		160~450V.DC														
	I=0.01CV or 3µA whichever is greater. (After 2 minutes application of rated voltage)		CV≤1000														
			CV>1000														
	I=0.1CV+40µA (1minute) I=0.03CV+15µA (5minutes)	I=0.04CV+100µA (1minute) I=0.02CV+25µA (5minutes)															
	I=(µA) Leakage Current	C=(µF) Rated Capacitance	V=(V) Rated Voltage														
(tan δ) Dissipation Factor(MAX)	Rated Voltage	6.3	10	16	25	35	50	63	100	160	200	250	350	400	450	(20°C, 120Hz)	
	tan δ	0.28	0.24	0.20	0.16	0.14	0.12	0.10	0.08	0.20	0.20	0.20	0.25	0.25	0.25		
	When rated capacitance is over 1000µF, tan δ shall be added 0.02 to the listed value with increase of every 1000µF.																
Endurance	Capacitance Change		Within ±25% of the initial value.													Case Size	(hrs) Life Time
	Dissipation Factor		Not more than 200% of the specified value.													φD≤8	1000
	Leakage Current		Not more than the specified value.													φD≥10	2000
Low Temperature Stability Impedance Ratio(MAX)	Rated Voltage	6.3	10	16	25	35	50	63	100	160	200	250	350	400	450	(120Hz)	
	Z(-25°C)/Z(20°C)	5	4	3	2	2	2	2	2	3	3	4	6	6	7		
	Z(-40°C)/Z(20°C)	10	8	6	4	3	3	3	3	4	4	8	8	10	-		

◆MULTIPLIER FOR RIPPLE CURRENT

Frequency Coefficient

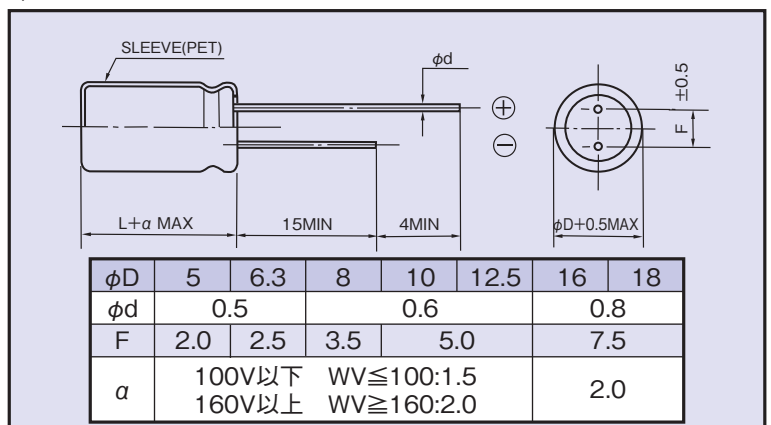
(Hz) Frequency	60(50)	120	500	1k	10k≤
0.47~1µF	0.50	1.00	1.20	1.30	1.50
2.2~4.7µF	0.65	1.00	1.20	1.30	1.50
10~47µF	0.80	1.00	1.20	1.30	1.50
100~1000µF	0.80	1.00	1.10	1.15	1.20
2200~33000µF	0.80	1.00	1.05	1.10	1.15

◆OPTION

	Code
PET Sleeve	EFC

◆DIMENSIONS

(mm)



◆PART NUMBER

PX     M     D×L  
 Rated Voltage Series Rated Capacitance Capacitance Tolerance Option Lead Forming Case Size

