

har-flex Board IDC 12p cable guide

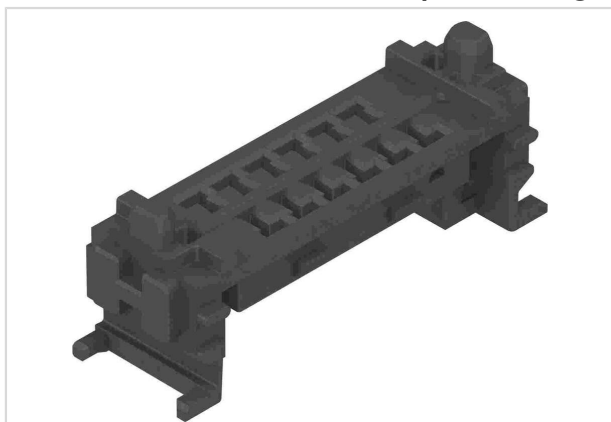


Image is for illustration purposes only. Please refer to product description.

Part number	15 39 012 0602 000
Specification	har-flex Board IDC 12p cable guide
HARTING eCatalogue	https://harting.com/15390120602000

Identification

Category	Accessories
Series	har-flex®
Identification	Board IDC
Type of accessory	Cable guide

Version

Number of contacts	12
--------------------	----

Technical characteristics

Contact spacing (termination side)	0.635 mm
Limiting temperature	-55 ... +125 °C

Material properties

Material (accessories)	Liquid crystal polymer (LCP)
Colour (accessories)	Black
Material flammability class acc. to UL 94	V-0
RoHS	compliant
ELV status	compliant
China RoHS	e
REACH Annex XVII substances	Not contained
REACH ANNEX XIV substances	Not contained
REACH SVHC substances	Not contained



Pushing Performance
Since 1945

Material properties

California Proposition 65 substances	Not contained
--------------------------------------	---------------

Commercial data

Packaging size	600
Net weight	0.233 g
Country of origin	China
European customs tariff number	85366990
GTIN	5713140838260
eCl@ss	27440292 Connector component (accessories)
UNSPSC 24.0	39121400